



INFINIUM™ LED SERIES

6" SPREAD LENS WALL WASH LED

18 WATT MAX

L6LED
SPECTRUM
INFINIUM™

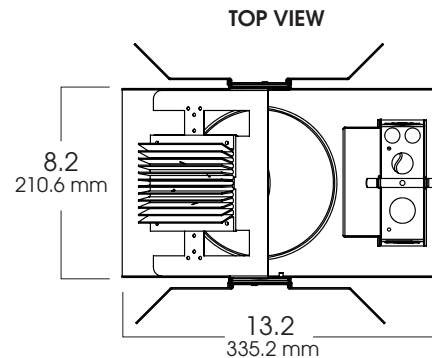
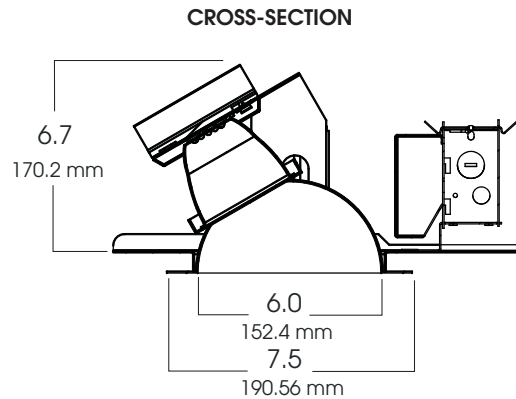
FEATURES & SPECIFICATIONS:

- Round 15/18 watt LED downlight series.
- All LED modules and drivers are replaceable and up-gradeable.
- 50,000 hours rated LED system life.
- Trim supports a variety of lens /accessory options.
- Intended for Non-IC new construction.
- Frame constructed of 20 ga. aluminum.
- Supplied with 27" long, heavy ga. galvanized steel bar hangers.
- Dimming available. (see page 1-444).
- EM available. (see page 1-446).
- Manufactured and built to UL standard No 1598.

Max Ceiling Thickness: 1.5 (38.1 mm)
Ceiling Cutout: 6.6ø (167.6 mm ø)
Fixture Weight: 5.0 lbs

KELVIN°	WATTAGE	LUMENS
27K°	15W	780
	18W	1100
31K°	15W	925
	18W	1220
35K°	15W	1050
	18W	1350
41K°	15W	1180
	18W	1475

*Other wattages and Color temps (K°) available. Contact Factory



SERIES	LED	KELVIN	VOLTAGE	OPTIONS	TRIM / FINISH	TRIM OPTIONS	
SGL6LED- Spectrum Infinium 6" LED Spread Lens Wall Wash	15w	27K -2700° K	E1 -Electronic,120V	IC -Insulated Ceiling	AR6966-MW -Matte White (standard)	SO -Micro Prism Solite™ lens (standard)	
	18w	31K -3100° K	E2 -Electronic,277V	BH6 -Expandable Bar Hangers, 6" - 12"			
SGL6LED	18W	31K	E1	DS2W1* -Spectrum 2 Wire Phase Dimming, 120v (15w only)	BH12 -Expandable Bar Hangers, 12" - 24"	SG -Semi-Diffuse Low Iridescent	
				DS101 -Spectrum 0-10v Dimming, 120v	CB24 -C-Channel bars (1-470)		HZ -Matte Low Iridescent
				DS103 -Spectrum 0-10v Dimming, 277v	FS -Fusing		WE -Wheat Alzak
				DLTE1 -Lutron 2 Wire Phase Dimming 120v Only	CCEA -Chicago Ceiling Plenum CCEA (1-480)		MB -Matte Black
				DL33X -Lutron HI-Lume Dimming 120v/277v	CR -Corrosion Resistant (1-460)		CC -Custom Color
				DL3EX -Lutron ECOSYSTEM Dimming 120v/277v	PR -Plaster Ring (1-430)		PF -Polished Flange
					TBC -T-bar clips (1-475)		WF -White Flange
					EMLED -Emergency Back-up Battery (1-423)		
					GR -Goof Ring (1-470)		
					SCA -Slope Ceiling Adaptor (1-435)		
	Dimming: See Page 1-444						

Dimensions shown are nominal. Spectrum Lighting is continually improving products and reserves the right to make changes that will not alter performance or appearance with or without written notice.



PROJECT:	TYPE:
CAT. NO.:	

