



# INFINIUM™ LED SERIES

## 5" SPREAD LENS WALL WASH LED

### 18 WATT MAX

**L5LED**  
SPECTRUM  
INFINIUM™

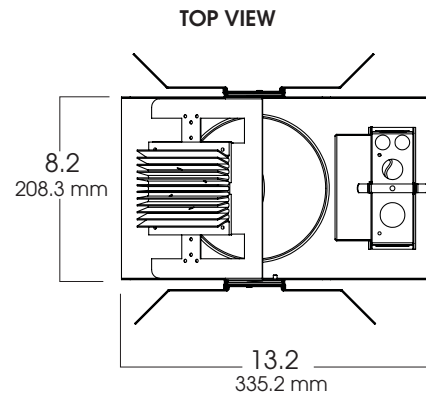
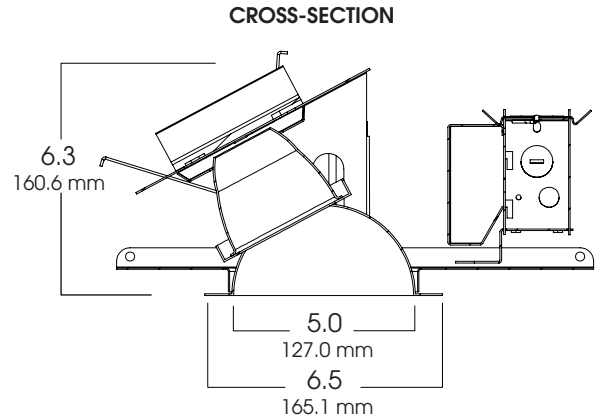
#### FEATURES & SPECIFICATIONS:

- Round 15/18 watt LED downlight series.
- All LED modules and drivers are replaceable and up-gradeable.
- 50,000 hours rated LED system life.
- Trim supports a variety of lens /accessory options.
- Intended for Non-IC new construction.
- Frame constructed of 20 ga. aluminum.
- Supplied with 27" long, heavy ga. galvanized steel bar hangers.
- Dimming available. (see page 1-444).
- EM available. (see page 1-446).
- Manufactured and built to UL standard No 1598.

Max Ceiling Thickness: 1.5 (38.1 mm)  
Ceiling Cutout: 5.6ø (142.2 mm ø)  
Fixture Weight: 4.5 lbs

KELVIN°	WATTAGE	LUMENS
27K°	15W	780
	18W	1100
31K°	15W	925
	18W	1220
35K°	15W	1050
	18W	1350
41K°	15W	1180
	18W	1475

\*Other wattages and Color temps (K°) available. Contact Factory



SERIES	LED	KELVIN	VOLTAGE	OPTIONS	TRIM / FINISH	TRIM OPTIONS
SGL5LED- Spectrum Infinium 5" LED Spread Lens Wall Wash	15w	27K -2700° K	E1 -Electronic, 120V	IC -Insulated Ceiling	AR5966-MW -Matte White (standard)	SO -Micro Prism Solite™ lens (standard)
	18w	31K -3100° K	E2 -Electronic, 277V	BH6 -Expandable Bar Hangers, 6" - 12"		
		35K -3500° K	DS2W1* -Spectrum 2 Wire Phase Dimming, 120v (15w only)	BH12 -Expandable Bar Hangers, 12" - 24"	SG -Semi-Diffuse Low Iridescent	PG -Prismatic Glass Lens
		41K -4100° K	DS101 -Spectrum 0-10v Dimming, 120v	CB24 -C-Channel bars (1-470)	HZ -Matte Low Iridescent	GL -Clear Glass Lens
			DS103 -Spectrum 0-10v Dimming, 277v	FS -Fusing	WE -Wheat Alzak	FG -Frosted Glass Lens
			DLTE1 -Lutron 2 Wire Phase Dimming 120v Only	CCEA -Chicago Ceiling Plenum CCEA (1-480)	MB -Matte Black	GS -Gasket
			DL33X -Lutron Hi-Lume Dimming 120v/277v	CR -Corrosion Resistant (1-460)	CC -Custom Color	WL -Wet Location
			DL3EX -Lutron ECOSYSTEM Dimming 120v/277v	PR -Plaster Ring (1-430)	PF -Polished Flange	DEC -Decorative Trim
			Dimming: See Page 1-444	TBC -T-bar clips (1-475)	WF -White Flange	
				EMLED -Emergency Back-up Battery (1-423)		
				GR -Goof Ring (1-470)		
				SCA -Slope Ceiling Adaptor (1-435)		
<b>SGL5LED</b>	<b>18W</b>	<b>31K</b>	<b>E1</b>	<b>EMLED</b>	<b>AR5966 SG</b>	<b>GS</b>

Dimensions shown are nominal. Spectrum Lighting is continually improving products and reserves the right to make changes that will not alter performance or appearance with or without written notice.



PROJECT:	TYPE:
CAT. NO.:	

