



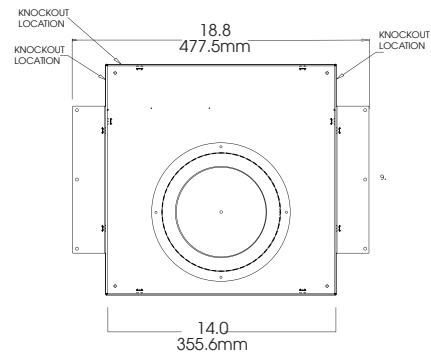
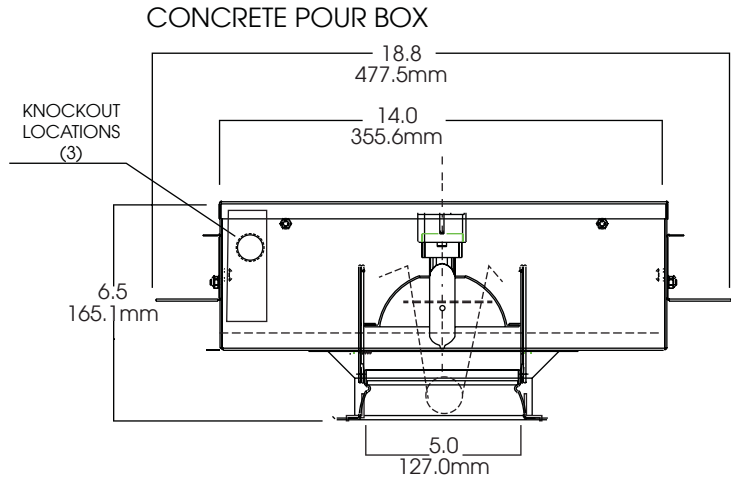
5" CONCRETE POUR MH SERIES DOWNLIGHT T4 LAMP 70 WATT MAX

D5MH
SPECTRUM
GOLD SERIES™

FEATURES & SPECIFICATIONS:

- 5" Aperture T4 Metal Halide downlight.
- Intended for concrete pour construction.
- Ballasts shall be integrally mounted, electronic sound rated "A", multi-volt 120v or 277v.
- Ballast accessible from below ceiling.
- Listed for Damp Locations. Wet Location
- For options detail, see page numbers listed below available
- Manufactured and tested to UL standard No. 1598.

Fixture Weight: 8.2 lbs



| SERIES | WATTS | BALLAST | LAMP | DISTRIBUTION | OPTIONS | TRIM / FINISH | TRIM OPTIONS |
|---|----------------|------------------------------|-----------|----------------|--|--|---|
| SGD5MH- Spectrum Gold 5" Vertical Lensed Downlight | 20 39 70 | E1 -120 Volt E2 -277 Volt | T4 | WD MD ND | FS -Fuse holder and fuse CPOUR -Concrete pour application | AR5450-SG -Semi-Diffuse Low Iridescent (standard) CL -Clear Bright Alzak PF -Polished Flange | GL -Clear Glass lens PG -Prismatic (T73) lens SO -Micro Prism Solite™ lens FG -Frosted Glass Lens GS -Gasket WL -Wet Location 1-470 |
| SGD5MH | 39 | E1 | T4 | MD | CPOUR | AR5440 SG | SO |

Note: White flange is standard.

Dimensions shown are nominal. Spectrum Lighting is continually improving products and reserves the right to make changes that will not alter performance or appearance with or without written notice.



PROJECT: _____ TYPE: _____

CAT. _____

