



5" METAL HALIDE SERIES DOWNLIGHT T4 / T6 LAMP 70 WATT MAX

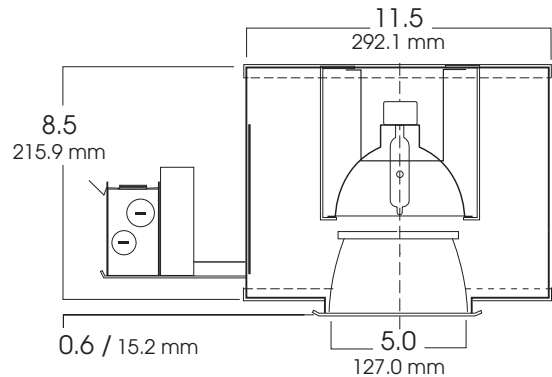
D5MH
SPECTRUM
GOLD SERIES™

FEATURES & SPECIFICATIONS:

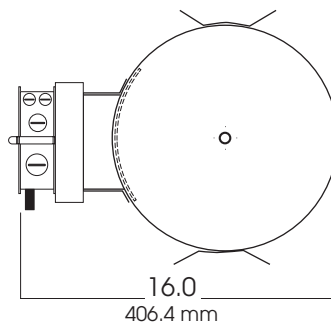
- 5" Aperture T4 / T6 Metal Halide Platform.
- Intended for Non-IC new construction.
- Frame constructed of 20 ga. aluminum.
- Supplied with 27" long, heavy ga. galvanized steel bar hangers.
- Ballasts shall be integrally mounted, electronic sound rated "A", multi-volt 120v or 277v.
- UL Listed for Damp Locations.
- For options detail, see page numbers listed below.

Max Ceiling Thickness: 1.0 (25.4 mm)
Ceiling Cutout: 5.8 Ø (147.3 mm Ø)
Fixture Weight: 7.0 lbs

CROSS-SECTION



TOP VIEW



FIXTURE LAMPING *

T4 - 20W thru 70W
T6 - 39W, 70W

*Base T4 / T6

SERIES	WATTS	BALLAST	LAMP	DISTRIBUTION	OPTIONS	TRIM / FINISH	TRIM OPTIONS
SGD5MH-Spectrum Gold 5" Vertical	20 39 70	EX -Electronic, multi-volt 120v thru 277v	T4 T6	ND -Narrow MD -Medium WD -Wide	CB24 -C-Channel bars 1-470 CCEA -Chicago Ceiling Plenum CCEA 1-480 CR -Corrosion Resistant 1-460 FS -Fuse holder and fuse PR -Plaster Ring 1-430 TBC -T-bar clips 1-475 TR -Top Relamping Option QRS120 -Quartz Restrike-120v QRS277 -Quartz Restrike-277v	AR5440-SG -Semi-Diffuse Low Iridescent 1-470 (standard) CL -Clear Bright Alzak GO -Gold Alzak HZ -Matte Low Iridescent PW -Pewter Alzak UM -Umber Alzak WE -Wheat Alzak BL -Black Finish WH -White Finish PF -Polished Flange	GL -Clear Glass lens PG -Prismatic (T73) lens SO -Micro Prism Solite™ lens FG -Frosted Glass Lens GS -Gasket WL -Wet Location 1-470
SGD5MH	70	EX	T4	ND	CB24	AR5440 SG	GL

Note: White flange is standard.

*For Available
Decorative Architectural Trims,
see page 1-490

Dimensions shown are nominal. Spectrum Lighting is continually improving products and reserves the right to make changes that will not alter performance or appearance with or without written notice.



PROJECT:	TYPE:
CAT. NO.:	

