



4" METAL HALIDE SERIES T4 / T6 LAMP 70 WATT MAX

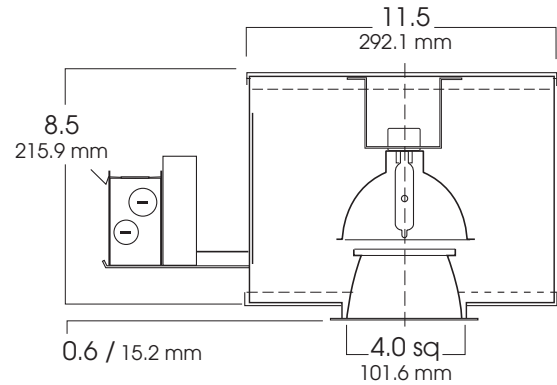


FEATURES & SPECIFICATIONS:

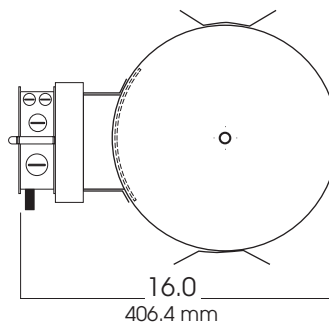
- EFEX² Series MH Square Aperture. Fixture features shallow plenum and deep cutoff.
- Intended for Non-IC new construction.
- Frame constructed of 20 ga. aluminium.
- Supplied with 27" long, heavy ga. galvanized steel bar hangers.
- Ballasts shall be integrally mounted, electronic sound rated "A", multi-volt 120v or 277v.
- UL Listed for Damp Locations.
- For options detail, see page numbers listed below.

Max Ceiling Thickness: 1.0 (25.4 mm)
 Ceiling Cutout: 5.0² (127.0 mm)²
 Fixture Weight: 7.0 lbs

CROSS-SECTION



TOP VIEW



FIXTURE LAMPING

T4 - 20W thru 70W
T6 - 39W, 70W

SERIES	WATTS	BALLAST	LAMP	DISTRIBUTION	OPTIONS	TRIM / FINISH	TRIM OPTIONS
SGD4SQMH- Spectrum Gold 4" Vertical Square	20 39 70	EX -Electronic, multi-volt 120v thru 277v	T4 T6	ND -Narrow MD -Medium WD -Wide	CB24 -C-Channel bars 1-470 CCEA -Chicago Ceiling Plenum CCEA 1-480 CR -Corrosion Resistant 1-460 FS -Fuse holder and fuse PR -Plaster Ring 1-430 PZ4SQ -Square Flush Plaster Mesh Fitter 1-435 TBC -T-bar clips 1-475 TR -Top Relamping Option QRS120 -Quartz Restrike-120v QRS277 -Quartz Restrike-277v	AR0404-SG -Semi-Diffuse Low Iridescent (standard) GM -Corrugated Soft Glow GO -Gold Alzak MB -Matte Black MW -Matte White PW -Pewter Alzak UM -Umber Alzak WE -Wheat Alzak BF -Black Flange WF -White Flange CC -Custom Color	GL -Clear Glass lens PG -Prismatic (T73) lens IX -Micro Prism Industretx™ lens FG -Frosted Glass Lens GS -Gasket WL -Wet Location
SGD4SQMH	20	EX	T4	ND	CB24	AR0404 SG	GL

Note: Polished flange is standard.

*For Available
**Decorative
 Architectural Trims,**
 see page 1-490

Dimensions shown are nominal. Spectrum Lighting is continually improving products and reserves the right to make changes that will not alter performance or appearance with or without written notice.



PROJECT:	TYPE:
CAT. NO.:	

