



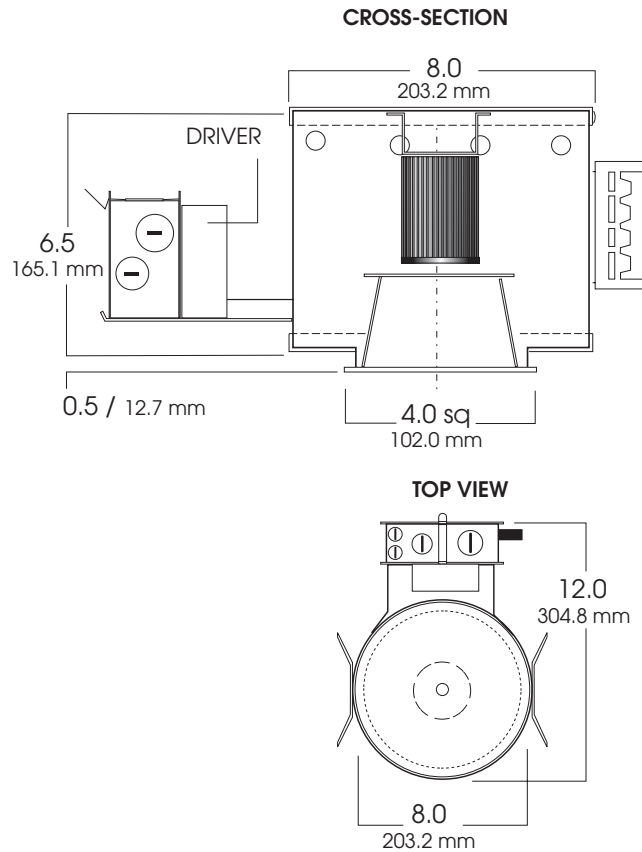
# INFINIUM™ PULSE TECH LED SELF-COOLING LED DOWNLIGHT

**D4SQLED**  
**SPECTRUM**  
**INFINIUM™**

## FEATURES & SPECIFICATIONS:

- Infinium "Pulse-Tech" features integral air-cooling technology.
- Single high powered LED produces point source quality and luminaire focus.
- High flux density 14 watt LED.
- All LED modules are replaceable and up-gradable
- Equivalent to 50 watt MR16, 20 watt metal halide, and 75 watt incandescent lamps.
- 50,000 hours rated lamp life means low maintenance
- Trim supports a variety of lens /accessory options.
- Intended for Non-IC new construction. For IC applications, refer to page 1-400.
- Frame constructed of 20 ga. aluminum.
- Supplied with 27" long, heavy ga. galvanized steel bar hangers.
- Electronic driver 120 Volt standard.
- Manufactured and built to UL standard No 1589

Max Ceiling Thickness: 1.5 (38.1 mm)  
Ceiling Cutout: 4.6<sup>2</sup> (116.8 mm)<sup>2</sup>  
Fixture Weight: 4.0 lbs



SERIES	LED	KELVIN	CRI	LUMENS	BEAM	VOLTAGE	OPTIONS	TRIM / FINISH	OPTIONS
SGD4SQLED- INFINIUM 4" LED Square Downlight	14w	2K (2800K)	80	340	12D 21D 38D	E1 -120 Volt E2 -277 Volt	<b>BH6</b> -Expandable Bar Hangers, 6" - 12" <b>BH12</b> -Expandable Bar Hangers, 12" - 24" <b>CB24</b> -C-Channel bars 1-470 <b>CR</b> -Corrosion Resistant 1-460 <b>PR</b> -Plaster Ring 1-430 <b>TBC</b> -T-bar clips 1-475 <b>EMLED</b> -Emergency Back-up Battery <b>DIMLED</b> -LED Dimming Module	<b>AR0404-MW</b> -Matte White (standard) <b>SG</b> -Soft Glow <b>CL</b> -Clear Bright Alzak <b>GO</b> -Gold Alzak <b>HZ</b> -Matte Low Iridescent <b>PW</b> -Pewter Alzak <b>UM</b> -Umber Alzak <b>WE</b> -Wheat Alzak <b>BL</b> -Black Finish <b>PF</b> -Polished Flange <b>BB</b> -Black Micro Baffle <b>WB</b> -White Micro Baffle	<b>FM</b> -Diffuse Microlens <b>GS</b> -Gasket <b>SO</b> -Micro Prism Solite™ lens <b>DEC</b> -Decorative trims available-see Trim Pages
		3K (3200K)	90	350	12D 21D 38D	E1 -120 Volt E2 -277 Volt			
		4K (4100K)	70	420	12D 21D 38D	E1 120 Volt E2 -277 Volt			
<b>SGD4SQLED</b>	<b>14W</b>	<b>3K</b>			<b>21D</b>	<b>E1</b>	<b>EMLED</b>	<b>AR0404 MW</b>	<b>GS</b>

Dimensions shown are nominal. Spectrum Lighting is continually improving products and reserves the right to make changes that will not alter performance or appearance with or without written notice.



PROJECT:	TYPE:
CAT. NO.:	

