



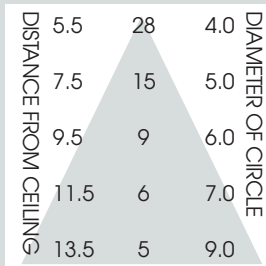
4" SQUARE INCANDESCENT PAR16 / PAR20 DOWNLIGHT 50 WATT MAX

D4SQIN
SPECTRUM
GOLD SERIES™

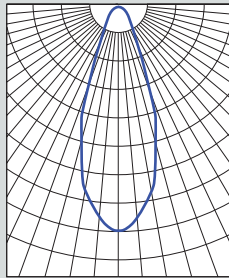
FEATURES & SPECIFICATIONS:

- EFEX² Series IN Square aperture. Series features shallow plenum and deep cutoff.
- Intended for Non-IC new construction. For IC applications, refer to page 1-400.
- Frame constructed of 20 ga. aluminum.
- Supplied with 27" long, heavy ga. galvanized steel bar hangers.
- **120 Volt** is standard. Use option **T277** for 277v supply feed.
- UL Listed for Damp Locations.
- For options detail, see page numbers listed below.

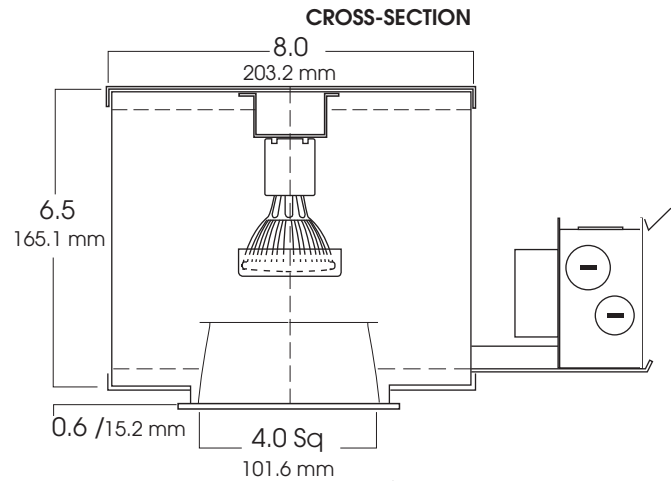
Max Ceiling Thickness: 1.0 (25.4 mm)
Ceiling Cutout: 5.0² (127.0 mm)²
Fixture Weight: 4.7 lbs



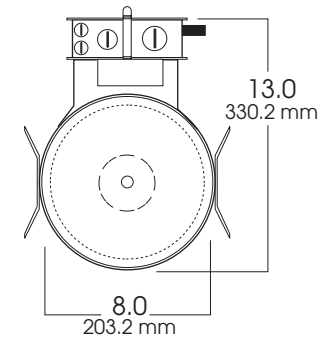
CONE OF LIGHT



D4SQIN50w - Efficiency: 92.5%
Spacing: 0.64



CROSS-SECTION



TOP VIEW

SERIES	OPTIONS	TRIM / FINISH	TRIM OPTIONS	FIXTURE LAMPING*
SGD4SQIN- Spectrum Gold 4" Vertical Square	BH6 -Expandable Bar Hangers, 6" - 12"	AR0404-SG -Semi-Diffuse Low Iridescent (standard) GM -Corrugated Soft Glow GO -Gold Alzak MB -Matte Black MW -Matte White PW -Pewter Alzak UM -Umber Alzak WE -Wheat Alzak BF -Black Flange WF -White Flange CC -Custom Color	GL -Clear Glass lens GS Gasket SO -Micro Prism Solite™ lens PG -Prismatic (T73) lens WL -Wet Location (See Page 1-470)	LAMP
	BH12 -Expandable Bar Hangers, 12" - 24"			MAX. WATTAGE
	CB24 -C-Channel bars 1-470 CCEA -Chicago Ceiling Plenum CCEA 1-480 CR -Corrosion Resistant 1-460 FS -Fuse holder and fuse IC -Insulation Contact 1-400 PR -Plaster Ring 1-430 RM -Remodeler Housing 1-450 TBC -T-bar clips 1-475 TR -Top Relamping Option T277 -Step down Transformer 277v to 120v	Note: Polished flange is standard.		PAR 16 45w PAR 20 50w
SGD4SQIN	CB24	AR0404 SG	GS	*Medium Base

Dimensions shown are nominal. Spectrum Lighting is continually improving products and reserves the right to make changes that will not alter performance or appearance with or without written notice.



PROJECT:	TYPE:
CAT. NO.:	

