



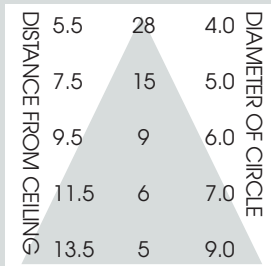
# 4" SQUARE INCANDESCENT DEEP TRIM 50 WATT MAX



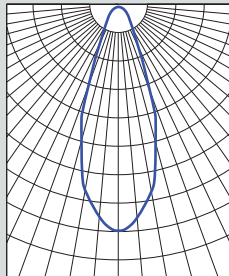
## FEATURES & SPECIFICATIONS:

- EFEX<sup>2</sup> Series CF Square aperture. Series features shallow plenum and deep cutoff.
- Intended for Non-IC new construction. For IC applications, refer to page 1-400.
- Frame constructed of 20 ga. aluminum.
- Supplied with 27" long, heavy ga. galvanized steel bar hangers.
- **120 Volt** is standard. Use option **T277** for 277v supply feed.
- UL Listed for Damp Locations.
- For options detail, see page numbers listed below.

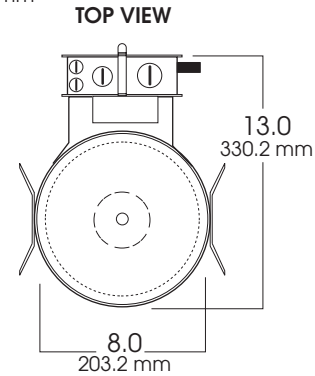
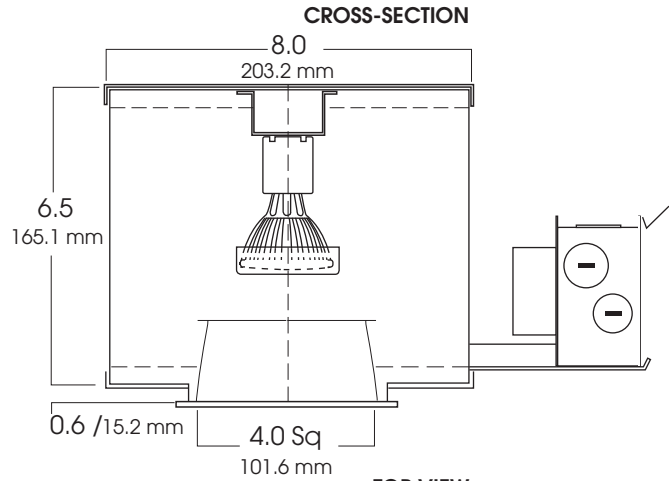
Max Ceiling Thickness: 1.0 (25.4 mm)  
 Ceiling Cutout: 5.0<sup>2</sup> (127.0 mm)<sup>2</sup>  
 Fixture Weight: 4.7 lbs



CONE OF LIGHT



D4SQIN50w - Efficiency: 92.5%  
 Spacing: 0.64



SERIES	OPTIONS	TRIM / FINISH	TRIM OPTIONS	FIXTURE LAMPING *						
SGD4SQIN- Spectrum Gold 4" Vertical Square	<b>BH6</b> -Expandable Bar Hangers, 6" - 12" <b>BH12</b> -Expandable Bar Hangers, 12" - 24" <b>CB24</b> -C-Channel bars 1-470 <b>CCEA</b> -Chicago Ceiling Plenum CCEA 1-480 <b>CR</b> -Corrosion Resistant 1-460 <b>FS</b> -Fuse holder and fuse <b>IC</b> -Insulation Contact 1-400 <b>PR</b> -Plaster Ring 1-430 <b>RM</b> -Remodeler Housing 1-450 <b>TBC</b> -T-bar clips 1-475 <b>TR</b> -Top Relamping Option <b>T277</b> -Step down Transformer 277v to 120v	<b>AR0404-SG</b> -Semi-Diffuse Low Iridescent (standard) <b>GM</b> -Corrugated Soft Glow <b>GO</b> -Gold Alzak <b>MB</b> -Matte Black <b>MW</b> -Matte White <b>PW</b> -Pewter Alzak <b>UM</b> -Umber Alzak <b>WE</b> -Wheat Alzak <b>BF</b> -Black Flange <b>WF</b> -White Flange <b>CC</b> -Custom Color	<b>GL</b> -Clear Glass lens <b>GS</b> Gasket <b>IX</b> -Micro Prism Industrex™ lens <b>PG</b> -Prismatic (T73) lens <b>WL</b> -Wet Location (See Page 1-470)	<table border="1"> <thead> <tr> <th>LAMP</th> <th>MAX. WATTAGE</th> </tr> </thead> <tbody> <tr> <td>PAR 16</td> <td>45w</td> </tr> <tr> <td>PAR 20</td> <td>50w</td> </tr> </tbody> </table> <p>*Medium Base</p>	LAMP	MAX. WATTAGE	PAR 16	45w	PAR 20	50w
	LAMP	MAX. WATTAGE								
PAR 16	45w									
PAR 20	50w									
<b>SGD4SQIN</b> <b>CB24</b>	* For available <b>Louvers</b> and <b>Lenses</b> see Page 1-410	Note: Polished flange is standard.  <b>AR0404 SG</b>	<b>GS</b>							

Dimensions shown are nominal. Spectrum Lighting is continually improving products and reserves the right to make changes that will not alter performance or appearance with or without written notice.



PROJECT:	TYPE:
CAT. NO.:	

