



# 4" METAL HALIDE SERIES T4 / T6 LAMP 70 WATT MAX

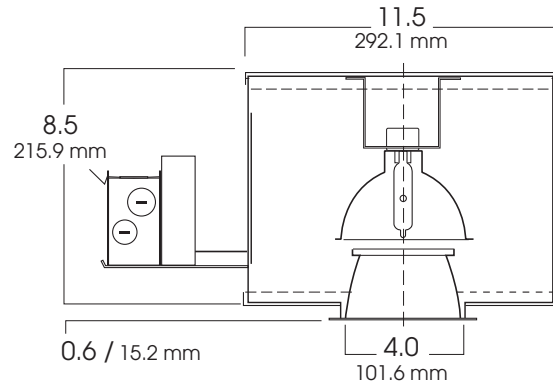
**D4MH**  
**SPECTRUM**  
**GOLD SERIES™**

## FEATURES & SPECIFICATIONS:

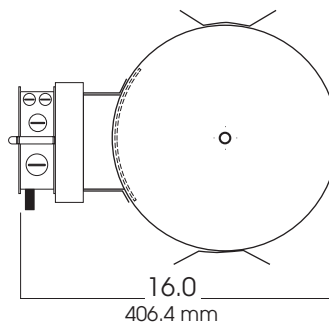
- Small Aperture with High Output T4 / T6 Metal Halide Fixture Series.
- 4" Aperture Metal Halide Platform.
- Intended for Non-IC new construction.
- Frame constructed of 20 ga. aluminum.
- Supplied with 27" long, heavy ga. galvanized steel bar hangers.
- Ballasts shall be integrally mounted, electronic sound rated "A", multi-volt 120v or 277v.
- UL Listed for Damp Locations.
- For options detail, see page numbers listed below.

Max Ceiling Thickness: 1.0 (25.4 mm)  
Ceiling Cutout: 4.8 Ø (121.9 mm Ø)  
Fixture Weight: 7.0 lbs

CROSS-SECTION



TOP VIEW



## FIXTURE LAMPING

**T4 - 20W thru 70W**  
**T6 - 39W, 70W**

SERIES	WATTS	BALLAST	LAMP	DISTRIBUTION	OPTIONS	TRIM / FINISH	TRIM OPTIONS
SGD4MH-Spectrum Gold 4" Vertical	20 39 70	EX -Electronic, multi-volt 120v thru 277v	T4 T6	ND -Narrow MD -Medium WD -Wide	CB24 -C-Channel bars 1-470 CCEA -Chicago Ceiling Plenum CCEA 1-480 CR -Corrosion Resistant 1-460 FS -Fuse holder and fuse PR -Plaster Ring 1-430 TBC -T-bar clips 1-475 TR -Top Relamping Option QRS120 -Quartz Restrike-120v QRS277 -Quartz Restrike-277v	AR4455-SG -Semi-Diffuse Low Iridescent (standard) CL -Clear Bright Alzak GO -Gold Alzak HZ -Matte Low Iridescent PW -Pewter Alzak UM -Umber Alzak WE -Wheat Alzak BL -Black Finish WH -White Finish PF -Polished Flange	GL -Clear Glass lens PG -Prismatic (173) lens SO -Micro Prism Solite™ lens FG -Frosted Glass Lens GS -Gasket WL -Wet Location
<b>SGD4MH</b>	<b>70</b>	<b>EX</b>	<b>T4</b>	<b>ND</b>	<b>CB24</b>	<b>AR4455 SG</b>	<b>GL</b>

Note: White flange is standard.

\*For Available Decorative Architectural Trims, see page 1-490

Dimensions shown are nominal. Spectrum Lighting is continually improving products and reserves the right to make changes that will not alter performance or appearance with or without written notice.



PROJECT:	TYPE:
CAT. NO.:	

