

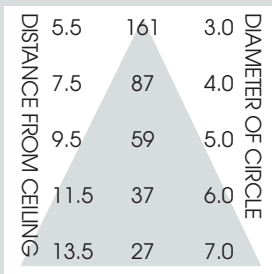
4" METAL HALIDE SERIES CMH 16 / PAR 20 LAMPS 39 WATT MAX

D4MH SPECTRUM GOLD SERIES™

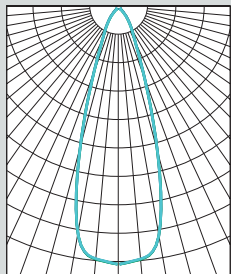
FEATURES & SPECIFICATIONS:

- 4" Aperture Par Lamp Metal Halide Platform.
- Intended for Non-IC new construction.
- Frame constructed of 20 ga. aluminum.
- Supplied with 27" long, heavy ga. galvanized steel bar hangers.
- Ballasts shall be integrally mounted, electronic sound rated "A", multi-volt 120v or 277v.
- UL Listed for Damp Locations.
- For options detail, see page numbers listed below.

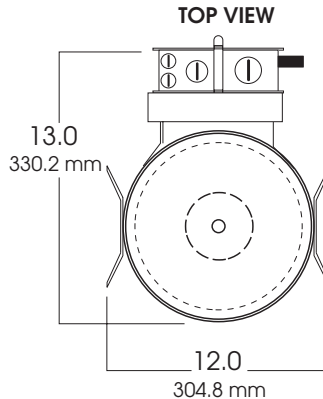
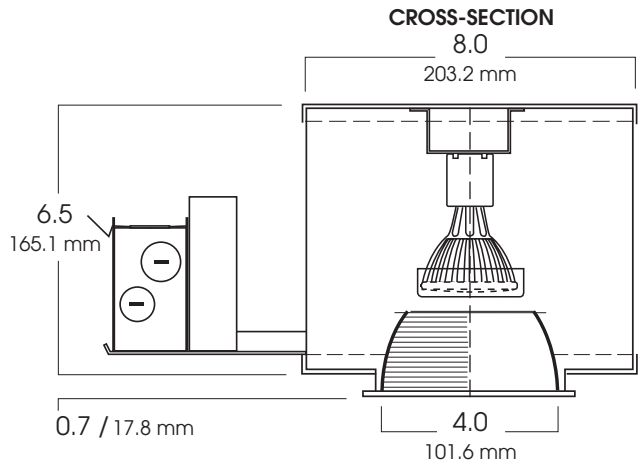
Max Ceiling Thickness: 1.5 (38.1 mm)
Ceiling Cutout: 4.6 Ø (116.8 mm Ø)
Fixture Weight: 5.2 lbs



CONE OF LIGHT



D4MH35w - Efficiency: 95.7%
Spacing: 0.56



FIXTURE LAMPING

CMH16 - 20W, 39W
PAR20 - 20W, 39W

SERIES	WATTS	BALLAST	LAMP	OPTIONS	TRIM / FINISH	TRIM OPTIONS
SGD4MH- Spectrum Gold 4" Vertical	20 39	E1 -Electronic, 120v E2 -Electronic, 277v	CMH16 ¹ PAR20 ²	CB24 -C-Channel bars 1-470 CCEA -Chicago Ceiling Plenum CCEA 1-480 CR -Corrosion Resistant 1-460 FS -Fuse holder and fuse PR -Plaster Ring 1-430 TBC -T-bar clips 1-475 TR -Top Relamping Option	AR4450-SG -Semi-Diffuse Low Iridescent (standard) CL -Clear Bright Alzak GO -Gold Alzak HZ -Matte Low Iridescent PW -Pewter Alzak UM -Umber Alzak WE -Wheat Alzak BL -Black Finish WH -White Finish PF -Polished Flange BB -Black Micro Baffle WB -White Micro Baffle	GL -Clear Glass lens PG -Prismatic (173) lens SO -Micro Prism Solite™ lens FG -Frosted Glass Lens GS -Gasket WL -Wet Location
SGD4MH	20	E1	CMH16	CB24	AR4450 SG	GS

¹ GX10 base
² Medium base

* For available Louvers and Lenses see Page 1-410

Note: White flange is standard.

*For Available Decorative Architectural Trims, see page 1-490

Dimensions shown are nominal. Spectrum Lighting is continually improving products and reserves the right to make changes that will not alter performance or appearance with or without written notice.



PROJECT:	TYPE:
CAT. NO.:	

