



INFINIUM™ LED SERIES LED ACCENT LIGHTING GUIDE “PULSE TECH” 14 WATT

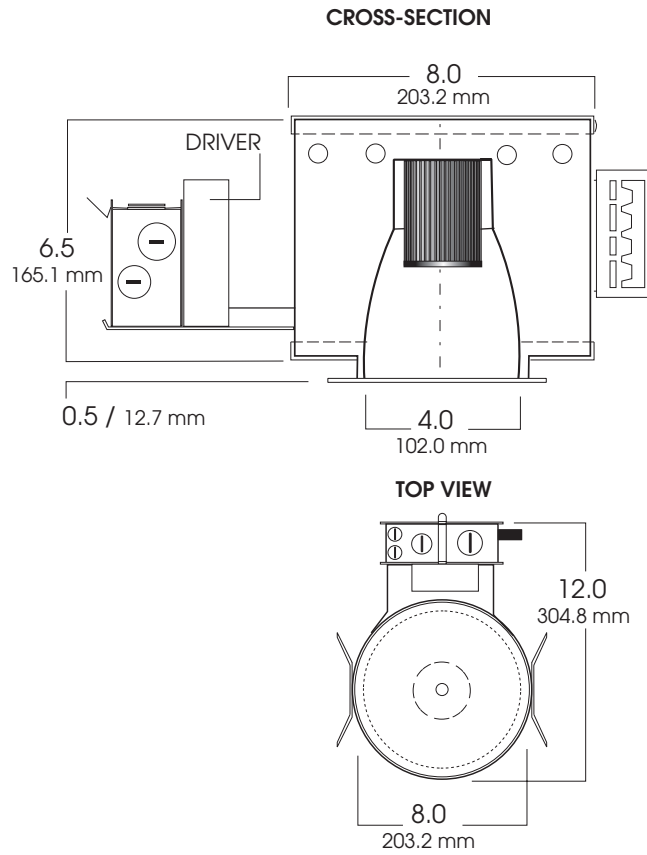
D4LED
SPECTRUM
INFINIUM™

FEATURES & SPECIFICATIONS:

- Round 14 watt, “Pulse Tech” LED series.
- Features integral air-cooling technology.
- Single high powered LED produces point source quality and luminaire focus.
- All LED modules and drivers are replacable and up-gradeable.
- 50,000 hours rated LED system life.
- Intended for Non-IC new construction.
- **Not Dimmable.**
- Supplied with 27” long, #12 ga. galvanized steel bar hangers.
- Manufactured and built to UL standard No 8750.

Max Ceiling Thickness: 1.5 (38.1 mm)
Ceiling Cutout: 4.6 ø (116.8 mm ø)
Fixture Weight: 4.0 lbs

KELVIN°	WATTAGE	LUMENS
27K°	14W	350
31K°	14W	375
35K°	14W	400
41K°	14W	480
55K°	14W	560



SERIES	LED	KELVIN	BEAM	VOLTAGE	OPTIONS	TRIM / FINISH	OPTIONS
SGD4LED- INFINIUM™ 4" LED Downlight	14w	27K -2700° Kelvin 31K -3100° Kelvin 35K -2900° Kelvin 41K -4100° Kelvin 55K -5500° Kelvin	ND (12°) MD (22°) WD (38°)	E1 -Electronic, 120v E2 -Electronic, 277v Dimming Not Available	BH6 -Expandable Bar Hangers, 6" - 12" BH12 -Expandable Bar Hangers, 12" - 24" CB24 -C-Channel bars (1-470) FS -Fuse Holder and Fuse CR -Corrosion Resistant (1-460) PR -Plaster Ring (1-430) TBC -T-bar clips (1-475) GR -Goof Ring (1-470) SCA -Slope Ceiling Adaptor (1-435)	AR4317-MW -Matte White (standard) SG -Semi-Diffuse Low Iridescent HZ -Matte Low Iridescent WE -Wheat Alzak MB -Matte Black CC -Custom Color PF -Polished Flange WF -White Flange	GS -Gasket WL -Wet Location DEC -Decorative trims available- see Trim Pages
SGD4LED	14W	31K	MD	E1	CB24	AR4317 SG	GS

Dimensions shown are nominal. Spectrum Lighting is continually improving products and reserves the right to make changes that will not alter performance or appearance with or without written notice.



PROJECT:	TYPE:
CAT. NO.:	

