



INFINIUM™ LED 3" SERIES LED PINHOLE TRIM 12 WATT MAX



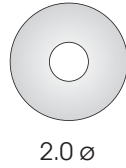
FEATURES & SPECIFICATIONS:

- Multi purpose LED mini housing.
- 10w, 12w options.
- **All LED modules and drivers are replacable and up-gradeable.**
- 50,000 hours rated LED system life.
- Trim supports a variety of lens /accessory options.
- Intended for Non-IC new construction.
- Frame constructed of 20 ga. aluminum.
- Supplied with 27" long, heavy ga. galvanized steel bar hangers.
- Electronic driver 120 Volt standard.
- Manufactured and built to UL standard No 8750.
- Meets Energy Star™ standards.

Max Ceiling Thickness: 1.5 (38.1 mm)
 Ceiling Cutout: 4.25 \varnothing (107.9 mm \varnothing)
 Fixture Weight: 3.85 lbs

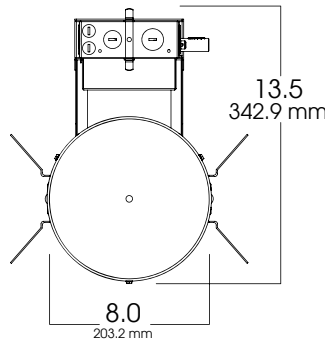
KELVIN°	WATTAGE	LUMENS
27K°	10W	175
	12W	210
31K°	10W	185
	12W	222
35K°	10W	200
	12W	240
41K°	10W	245
	12W	294

PINHOLE TRIM

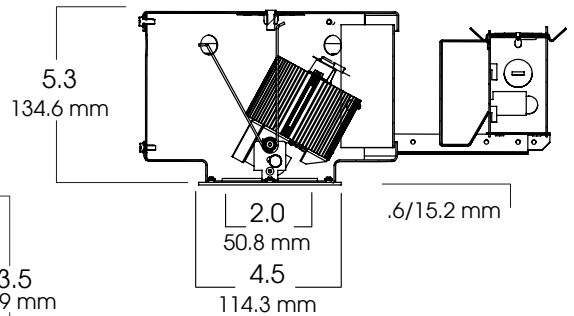
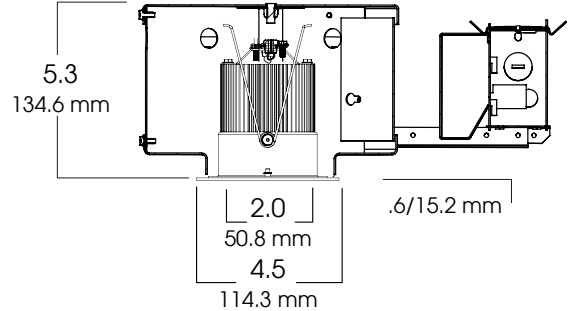


2.0 \varnothing

TOP VIEW



CROSS-SECTION



SERIES	LED	KELVIN	VOLTAGE	TRIM / FINISH	TRIM OPTIONS	OPTIONS
SGD3LEDBI- Spectrum Infinium 3" LED Downlight	10w	27K -2700° Kelvin 650 lm	E1 -Electronic, 120V	FW4.5BI-Flush White Downlight	GS -Gasket	BH6 -Expandable Bar Hangers, 6" - 12"
	12w	31K -3100° Kelvin 700 lm	E2 -Electronic, 277V	LW4.5BI-Flush White Wet Location	SO -Micro Prism Solite™ lens	BH12 -Expandable Bar Hangers, 12" - 24"
		35K -3500° Kelvin 780 lm		AW4.5BI-Flush White Adjustable Accent	FG -Frosted Glass	CB24 -C-Channel bars 1-470
		41K -4100° Kelvin 820 lm		AR3150BI WH-White Trim/ Shallow Depth		FS -Fusing IC -Insulated Ceiling TBC -T-bar clips 1-47
SGD3LEDBI	10W	31K	E1	AR3150BI WH		

Dimensions shown are nominal. Spectrum Lighting is continually improving products and reserves the right to make changes that will not alter performance or appearance with or without written notice.



PROJECT:	TYPE:
CAT. NO.:	

