

# 12" METAL HALIDE SERIES NARROW TO WIDE DISTRIBUTION 400 WATT MAX

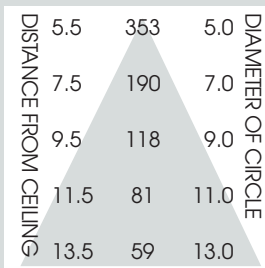
## D12MH SPECTRUM GOLD SERIES™



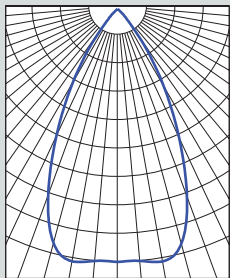
### FEATURES & SPECIFICATIONS:

- 12" Aperture Metal Halide Platform. Features a deep cone for excellent cutoff.
- Intended for Non-IC new construction.
- Frame constructed of 20 ga. galvanized steel.
- Supplied with 27" long, heavy ga. galvanized steel bar hangers.
- Ballasts shall be integrally mounted, electronic sound rated "A", multi-volt 120v or 277v.
- UL Listed for Damp Locations.
- For options detail, see page numbers listed below.

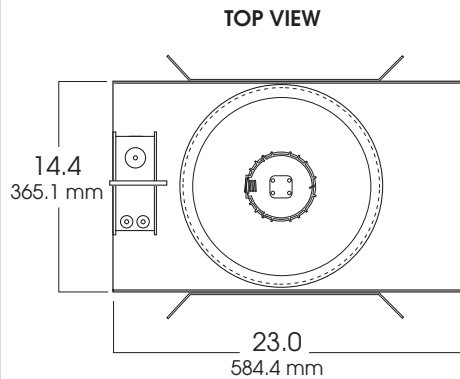
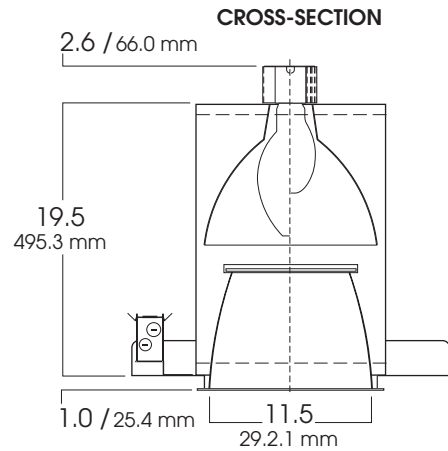
Max Ceiling Thickness: 1.0 (25.4 mm)  
Ceiling Cutout: 12.0 Ø (304.8 mm Ø)  
Fixture Weight: 12.0 lbs



CONE OF LIGHT



D12MHMD250w- Efficiency: 43.7%  
Spacing: 0.87



### FIXTURE LAMPING

- BD17 (HPS) - 100W, 150W
- ED17 (MH) - 100W thru 175W
- ED28 (MH) - 175W thru 400W
- ED37 (HPS) - 400W

SERIES	WATTS	BALLAST	LAMP	DISTRIBUTION	OPTIONS	TRIM / FINISH	TRIM OPTIONS
SGD12MH*- Spectrum Gold 12" Vertical	100 150 <sup>1</sup> 175 <sup>2</sup> 250 <sup>2</sup> 400 <sup>2</sup>	EX <sup>1</sup> -Electronic, multi-volt 120v or 277v E1 <sup>1</sup> -Electronic 120v (150w MH only) E2 <sup>1</sup> -Electronic 277v (150w MH only) H1 -F-Can ballast, 120v H2 -F-Can ballast, 227v PS -Pulse Start	BD17 ED17 <sup>1</sup> ED28 <sup>2</sup> ED37 <sup>2</sup>	ND -Narrow MD -Medium WD -Wide	CB24 -C-Channel bars 1-470 CCEA -Chicago Ceiling Plenum CCEA 1-480 CR -Corrosion Resistant 1-460 FS -Fuse holder and fuse PR -Plaster Ring 1-430 TBC -T-bar clips 1-475 QRS120 -Quartz Restrike- 120v QRS277 -Quartz Restrike- 277v	AR1245-WS -White w White flange (standard) CS -Clear Alzak w/white flange CSPF -Clear Alzak w/ polished flange SGS -Semi-Diffuse Low- Iridescent w/white flange SGSPF -Semi-Diffuse Low- Iridescent w/polished flange RB -Regressed black baffled w/white flange RBBF -Regressed black baffled w/black flange RW -Regressed white baffled w/white flange CC -Custom Color	GL -Clear Glass lens (standard) PG -Prismatic (T73) lens FL -Fresnel Lens SO -Micro Prism Solite™ lens FG -Frosted Glass GS -Gasket WL -Wet Location 1-470
SGD12MH	70	EX	ED17	ND	CB24	AR1245 WS	GL

Dimensions shown are nominal. Spectrum Lighting is continually improving products and reserves the right to make changes that will not alter performance or appearance with or without written notice.



PROJECT:	TYPE:
CAT. NO.:	

