

10" HID-MH SERIES CDMTMW LAMP / DIMMING 210 / 315 WATT MAX

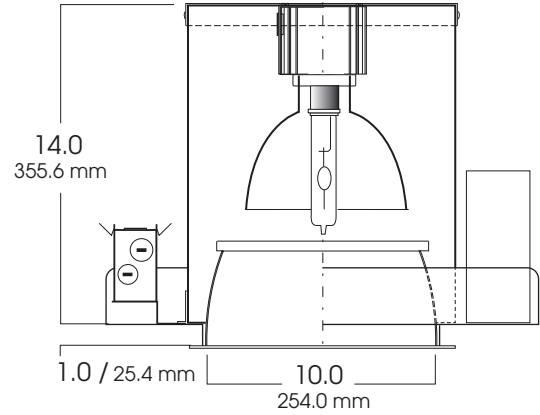


FEATURES & SPECIFICATIONS:

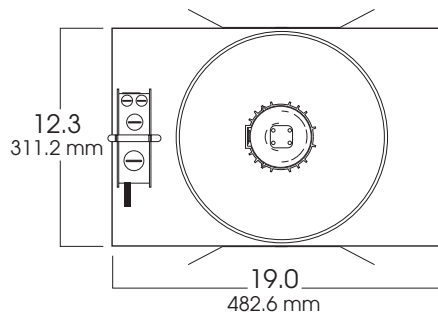
- Excellent for high ceiling and general area lighting.
- Energy efficient replaces 250w/400w lamping.
- Uses new CDMTMW MH lamp.
- 315 Watt ballast is dimmable to 50% using standard 2 wire dimming controls.
- 10" Aperture Metal Halide Platform, features a deep con for excellent cutoff, and upper focusing reflector.
- Intended for Non-IC new construction.
- Frame constructed of 20 ga. galvanized steel.
- Supplied with 27" long, heavy ga. galvanized steel bar hangers.
- Ballasts shall be integrally mounted, electronic sound rated "A", 277v only.
- UL Listed for Damp Locations.
- For options detail, see page numbers listed below.

Max Ceiling Thickness:	1.0 (25.4 mm)
Ceiling Cutout:	10.3 Ø (261.6 mm Ø)
Fixture Weight:	12.0 lbs

CROSS-SECTION



TOP VIEW



FIXTURE LAMPING
CDMTMW- 210W / 315W

SERIES	WATTS	BALLAST	LAMP	DISTRIBUTION	OPTIONS	TRIM / FINISH	TRIM OPTIONS
SGD10MH* - Spectrum Gold 10" Vertical	210 315	E2 -Electronic 277v	CDMTMW 3K CDMTMW 4K	ND -Narrow MD -Medium WD -Wide	CB24 -C-Channel bars 1-470 CCEA -Chicago Ceiling Plenum CCEA 1-480 CR -Corrosion Resistant 1-460 FS -Fuse holder and fuse PR -Plaster Ring 1-430 RM -Remodeler Housing 1-450 TBC -T-bar clips 1-475 TR -Top Relamping Option QRS120 -Quartz Restrike-120v QRS277 -Quartz Restrike-277v *DM*** -50% Dimming Control (0-10v) Specify wattage	AR1045-SG -Semi-Diffuse Low Iridescent (standard) CL -Clear Bright Alzak GO -Gold Alzak HZ -Matte Low Iridescent PW -Pewter Alzak UM -Umber Alzak WE -Wheat Alzak BL -Black Finish WH -White Finish PF -Polished Flange	GL -Clear Glass lens PG -Prismatic (T73) lens (standard) FL -Fresnel Lens SO -Micro Prism Solite™ lens FG -Frosted Glass GS -Gasket WL -Wet Location 1-470
SGD10MH	315	E2	CDMTMW 3K	ND	CB24	AR1045 SG	SO

Note: White flange is standard.

Dimensions shown are nominal. Spectrum Lighting is continually improving products and reserves the right to make changes that will not alter performance or appearance with or without written notice.



PROJECT:	TYPE:
CAT. NO.:	

