



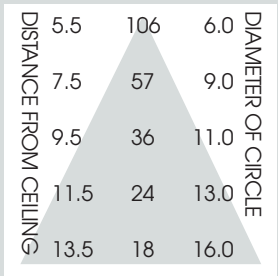
10" HID-MH / HPS SERIES DEEP CUTOFF 250 WATT MAX



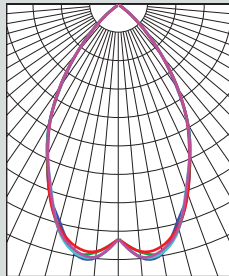
FEATURES & SPECIFICATIONS:

- 10" Aperture Metal Halide Platform. Features a deep cone for excellent cutoff.
- Intended for Non-IC new construction.
- Frame constructed of 20 ga. galvanized steel.
- Supplied with 27" long, heavy ga. galvanized steel bar hangers.
- Ballasts shall be integrally mounted, electronic sound rated "A", multi-volt 120v or 277v.
- UL Listed for Damp Locations.
- For options detail, see page numbers listed below.

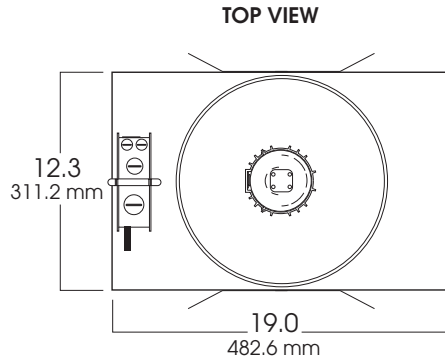
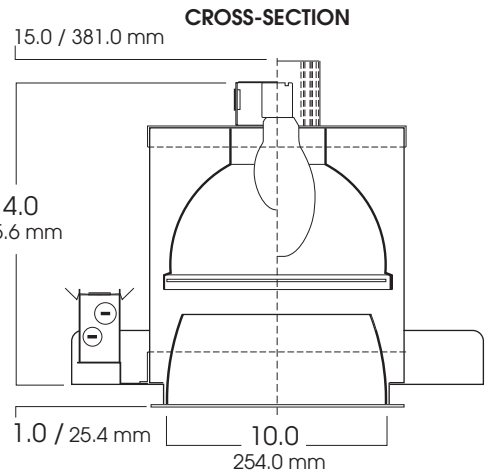
Max Ceiling Thickness: 1.0 (25.4 mm)
 Ceiling Cutout: 10.3 Ø (261.6 mm Ø)
 Fixture Weight: 12.0 lbs



CONE OF LIGHT



D10MHW100w-Efficiency: 46.6%
Spacing: 0.98



FIXTURE LAMPING

BD17 (HPS) - 50W thru 150W
ED17 (MH) - 50W thru 175W
BT28 (HPS) - 250W
ED28 (MH) - 175W, 250W

SERIES	WATTS	BALLAST	LAMP	DISTRIBUTION	OPTIONS	TRIM / FINISH	TRIM OPTIONS
SGD10MH* - Spectrum Gold 10" Vertical	50	EX ¹ -Electronic, multi-volt 120v or 277v E1 ¹ -Electronic 120v (150w MH only) E2 ¹ -Electronic 277v (150w MH only) H1 -F-Can ballast, 120v H2 -F-Can ballast, 227v PS -Pulse Start	BD17 ED17 ¹ BT28 ² ED28 ²	ND -Narrow MD -Medium WD -Wide	CB24 -C-Channel bars 1-470 CCEA -Chicago Ceiling Plenum CCEA 1-480 CR -Corrosion Resistant 1-460 FS -Fuse holder and fuse PR -Plaster Ring 1-430 RM -Remodeler Housing 1-450 TBC -T-bar clips 1-475 TR -Top Relamping Option QRS120 -Quartz Restrike-120v QRS277 -Quartz Restrike-277v	AR1045-SG -Semi-Diffuse Low Iridescent (standard) CL -Clear Bright Alzak GO -Gold Alzak HZ -Matte Low Iridescent PW -Pewter Alzak UM -Umber Alzak WE -Wheat Alzak BL -Black Finish WH -White Finish PF -Polished Flange	GL -Clear Glass lens PG -Prismatic (T73) lens (standard) FL -Fresnel Lens SO -Micro Prism Solite™ lens FG -Frosted Glass GS -Gasket WL -Wet Location 1-470
	70						
	100						
	150 ¹						
	175 ² 250 ²						
SGD10MH	70	EX	BD17	ND	CB24	AR1045 SG	GL

* For High Pressure Sodium use HS

¹ Must specify voltage
² F-Can only

¹ Metal Halide only

¹ Medium base
² Mogul base

Note: White flange is standard.

*For available Decorative Architectural Trims, see Page 1-490

Dimensions shown are nominal. Spectrum Lighting is continually improving products and reserves the right to make changes that will not alter performance or appearance with or without written notice.



PROJECT: _____ TYPE: _____
 CAT. NO.: _____



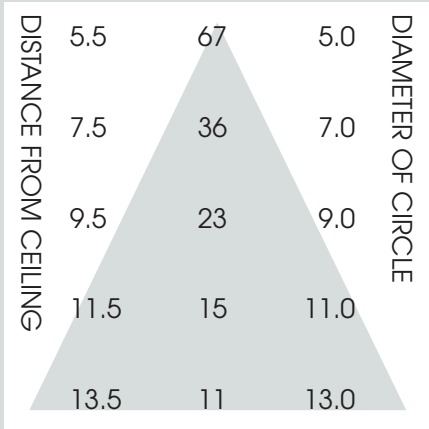


**10" HID-MH / HPS SERIES
DEEP CUTOFF
250 WATT MAX**

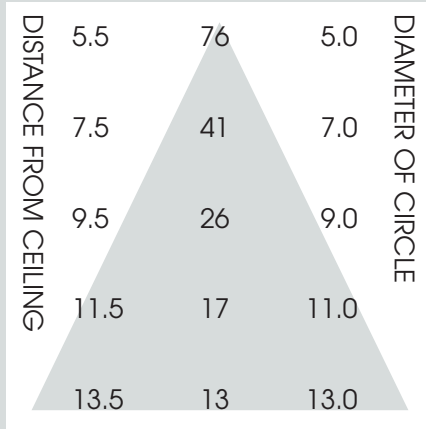
**D10MH
SPECTRUM
GOLD SERIES™**

CONE OF LIGHT

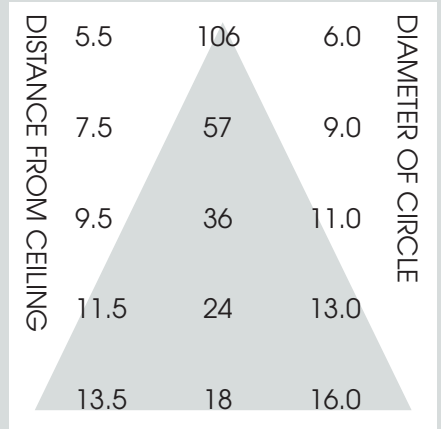
NARROW DISTRIBUTION



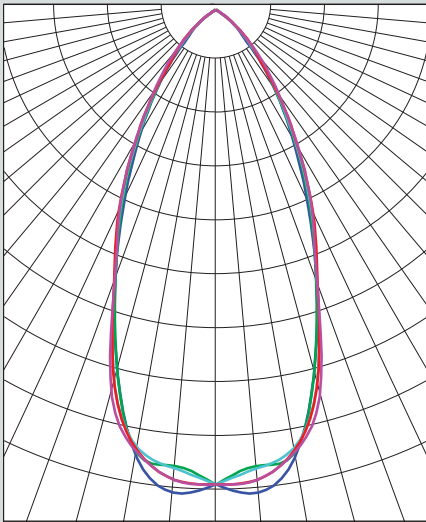
MEDIUM DISTRIBUTION



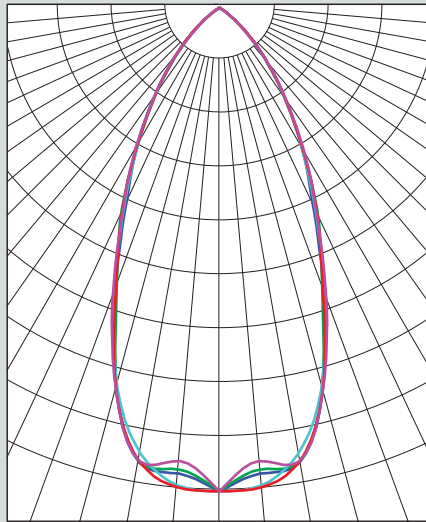
WIDE DISTRIBUTION



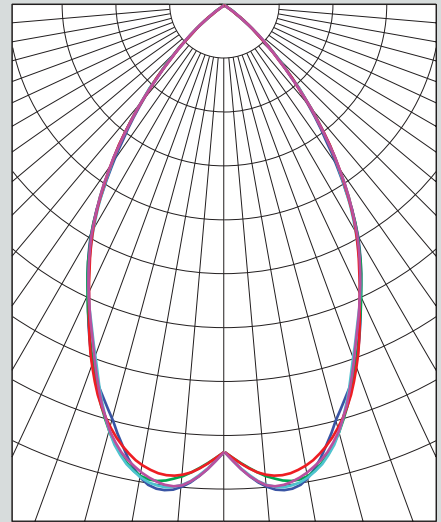
PHOTOMETRY



D10MHND100w-Efficiency: 19.1%
Spacing: 0.74



D10MHMD100w-Efficiency: 24.4%
Spacing: 0.77



D10MHWD100w-Efficiency: 46.6%
Spacing: 0.98

Dimensions shown are nominal. Spectrum Lighting is continually improving products and reserves the right to make changes that will not alter performance or appearance with or without written notice.



PROJECT:	TYPE:
CAT. NO.:	

