



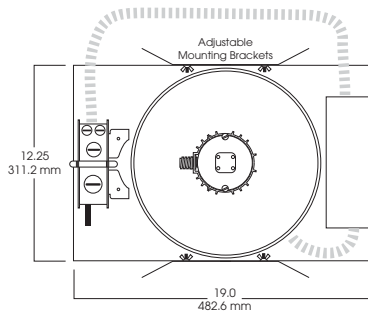
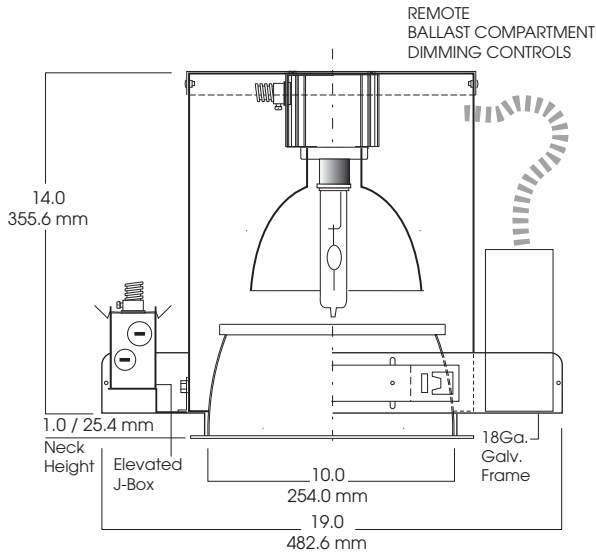
10" HID-MH S SERIES CDMTMW LAMP/DIMMING 315 WATT MAX

D10MH
SPECTRUM
GOLD SERIES™

FEATURES & SPECIFICATIONS:

- Excellent for high ceiling and general area lighting.
- Energy efficient replaces 250w/400w lamping.
- Uses new CDMTMW MH lamp with electronic dimming controls.
- 10" Aperture Metal Halide Platform. Features a deep cone for excellent cutoff, and upper focusing reflector. Intended for Non-IC new construction.
- Frame constructed of 18 ga. galvanized steel.
- Supplied with 27" long, heavy ga. galvanized steel bar hangers.
- 315 Watt ballast is dimmable to 50% using standard 2 wire dimming.
- Ballasts shall be integrally mounted, electronic sound rated "A", 277v only UL Listed for Damp Locations.
- For options detail, see page numbers listed below.

Max Ceiling Thickness:	1.0 (25.4 mm)
Ceiling Cutout:	10.3 Ø (261.6 mm Ø)
Fixture Weight:	12.0 lbs



FIXTURE LAMPING
CDMTMW - 210W /315W

SERIES	WATTS	BALLAST	LAMP	DISTRIBUTION	OPTIONS	TRIM / FIN-	TRIM OPTIONS
SGD10MH* Spectrum Gold 10" Vertical	210 315*	E2 -Electronic, 277v	CDMTMW	ND -Narrow MD -Medium WD -Wide	CB24 -C-Channel bars 1-470 CCEA -Chicago Ceiling Plenum CCEA 1-480 CR -Corrosion Resistant 1-460 FS -Fuse holder and fuse PR -Plaster Ring 1-430 RM -Remodeler Housing 1-450 TBC -T-bar clips 1-475 TR -Top Relamping Option QRS120 -Quartz Restrike-120v QRS277 -Quartz Restrike-277v *DM315 -50% Dimming Control (0-10V) 315 watt ONLY	AR1045-SG -Semi-Diffuse Low Iridescent (standard) CL -Clear Bright GO Alzak HZ -Gold Alzak -Matte Low Iridescent PW -Pewter Alzak WE -Umber Alzak BL -Wheat Alzak WH -Black Finish PF -White Finish -Polished Flange Note: White flange is stan-	GL -Clear Glass lens (standard) FG -Frosted Glass FL -Fresnel Lens GS -Gasket PG -Prismatic (173) lens WL -Wet Location 1-470
SGD10MH	315	E2	CDMTMW	ND	DM315	AR1045	GL

Dimensions shown are nominal. Spectrum Lighting is continually improving products and reserves the right to make changes that will not alter performance or appearance with or without written notice.



PROJECT:	TYPE:
CAT.	

