



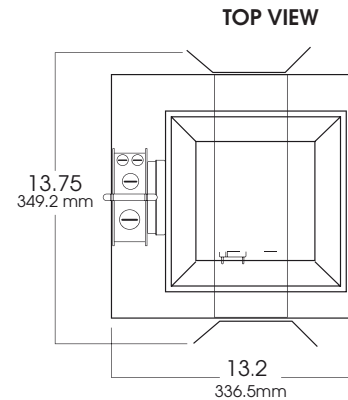
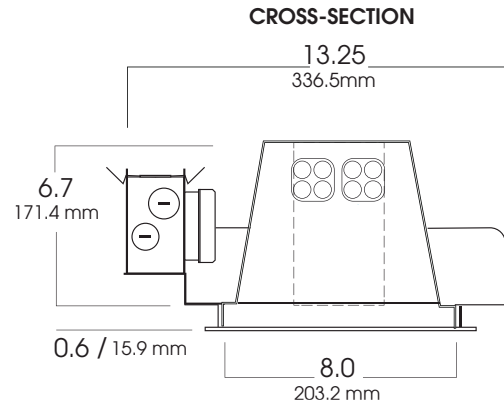
8" HORIZONTAL FLUORESCENT DEEP SQUARE APERTURE 2 X 42 WATT MAX



FEATURES & SPECIFICATIONS:

- SGB8G features a deep reflector for excellent cutoff.
- Intended for Non-IC new construction. For IC applications, refer to page 1-400.
- Frame constructed of 20 ga. galvanized steel.
- Supplied with 27" long, heavy ga. galvanized steel bar hangers.
- Ballasts shall be integrally mounted, electronic sound rated "A", Class P, multi-volt 120v - 277v.
- UL Listed for Damp Locations.
- For options detail, see page numbers listed below.

Max Ceiling Thickness:	1.0 (25.4 mm)
Ceiling Cutout:	8.37 ² (2127)
Fixture Weight:	5.5 lbs



SERIES	WATTS	BALLAST	OPTIONS	TRIM / FINISH	TRIM OPTIONS
SGB8SQCF - Spectrum Gold 8" Horizontal Deep Square	(1 or 2) 13 (1 or 2) 18 (1 or 2) 26T¹ (1 or 2) 32 (1 or 2) 42	EX - Electronic, multi-volt 120v thru 277v DA1 - Advance Mark 10™ powerline dimming, 120v ¹ DA2 - Advance Mark 10™ powerline dimming, 277v ¹ DAM7 - Advance Mark 7™ 0-10v dimming, 120v thru 277v DL1 - Lutron Compact SE™ 120v (min. dimming level 5%) ¹ DL2 - Lutron Compact SE™ 277v (min. dimming level 5%) ¹	CB24 - C-Channel bars 1-470 CCEA - Chicago Ceiling Plenum CCEA 1-480 CR - Corrosion Resistant 1-460 EM - Emergency battery pack 1-420 FS - Fuse holder and fuse IC - Insulation Contact 1-400 PR - Plaster Ring 1-430 RM - Remodeler Housing 1-450 TBC - T-bar clips 1-475 TST - Twist-Lok Socket 1-425	AR0806 - GW - Gloss White (standard) -	GS - Gasket
SGB8SQCF	132	EX		Note: White angle is standard. AR0806 GW	GS

Dimensions shown are nominal. Spectrum Lighting is continually improving products and reserves the right to make changes that will not alter performance or appearance with or without written notice.



PROJECT:	TYPE:
CAT. NO.:	