



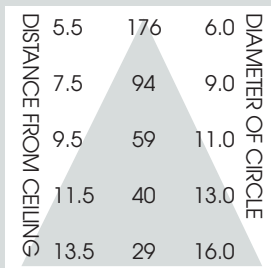
# 8" METAL HALIDE SERIES LENSED SPLAY 175 WATT MAX

**B8MH**  
SPECTRUM  
GOLD SERIES™

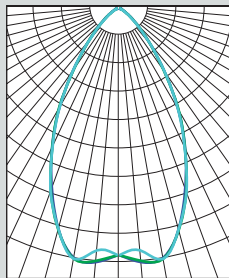
### FEATURES & SPECIFICATIONS:

- B8MH series features a deep reflector for excellent cutoff and a wide variety of lenses and splays plus increased wattage of 175w.
- Intended for Non-IC new construction.
- Frame constructed of 20 ga. galvanized steel.
- Supplied with 27" long, heavy ga. galvanized steel bar hangers.
- Ballasts shall be integrally mounted, electronic sound rated "A", multi-volt 120v or 277v.
- UL Listed for Damp Locations.
- For options detail, see page numbers listed below.

Max Ceiling Thickness: 1.5 (38.1 mm)  
Ceiling Cutout: 8.0 Ø (203.2 mm Ø)  
Fixture Weight: 18.5 lbs

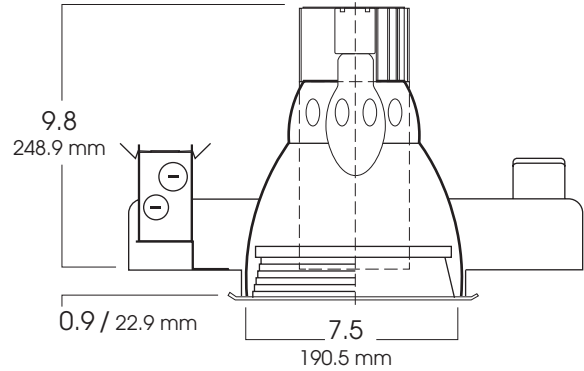


CONE OF LIGHT

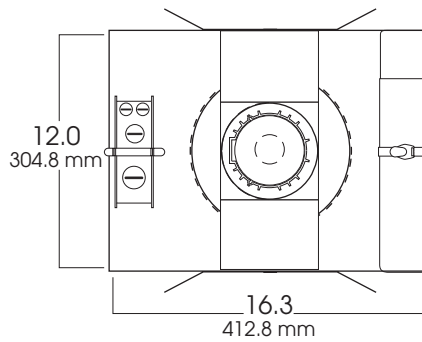


B8MH175w - Efficiency: 41.7%  
Spacing: 0.90

CROSS-SECTION



TOP VIEW



### FIXTURE LAMPING

**ED17<sup>1</sup> - 175W**  
**ED28<sup>2</sup> - 175W**

<sup>1</sup> Medium base  
<sup>3</sup> Mogul base

SERIES	WATTS	BALLAST	LAMP	OPTIONS	SPLAY	TRIM OPTIONS
<b>SGB8MH-</b> Spectrum Gold 8" Vertical	<b>175</b>	<b>PS1</b> -Pulse Start, 120v <b>PS2</b> -Pulse Start, 277v	<b>ED17<sup>1</sup></b> <b>ED28<sup>2</sup></b>	<b>CB24</b> -C-Channel bars 1-470 <b>CCEA</b> -Chicago Ceiling Plenum CCEA 1-480 <b>CR</b> -Corrosion Resistant 1-460 <b>FS</b> -Fuse holder and fuse <b>PR</b> -Plaster Ring 1-430 <b>RM</b> -Remodeler Housing 1-450 <b>SCA</b> -Slope Ceiling Adaptor 1-435 <b>TBC</b> -T-bar clips 1-475 <b>TP</b> -Tamper Resistant <b>QRS120</b> -Quartz Restrike-120v <b>QRS277</b> -Quartz Restrike-277v	<b>AR8226-WS</b> -White w/White flange (standard) <b>CS</b> -Clear Alzak w/white flange <b>CSPF</b> -Clear Alzak w/polished flange <b>SGS</b> -Semi-Diffuse Low-Iridescent w/white flange <b>SGSPF</b> -Semi-Diffuse Low- Iridescent w/polished flange <b>RB</b> -Regressed black baffled w/white flange <b>RBBF</b> -Regressed black baffled w/black flange <b>RW</b> -Regressed white baffled w/white flange <b>CC</b> -Custom Color <b>FW</b> -Flush White Door	<b>GL</b> -Clear Glass lens <b>PG</b> -Prismatic (T73) lens (standard) <b>SO</b> -Micro Prism Solite™ <b>FG</b> lens <b>FL</b> -Frosted Glass <b>XB<sup>1</sup></b> -Fresnel Lens <b>GS</b> -Cross Blade Louver <b>WL</b> -Gasket -Wet Location 1-470
<b>SGB8MH</b>	<b>175</b>	<b>PS1</b>	<b>ED17</b>	<b>CB24</b>	<b>AR8226 WS</b>	<b>PG</b>

<sup>1</sup> Medium base  
<sup>2</sup> Mogul base

<sup>1</sup> For **WS, CS, CSPF, SGS** and **SGSPF** trims only

Dimensions shown are nominal. Spectrum Lighting is continually improving products and reserves the right to make changes that will not alter performance or appearance with or without written notice.



<b>PROJECT:</b>	<b>TYPE:</b>
<b>CAT. NO.:</b>	

