



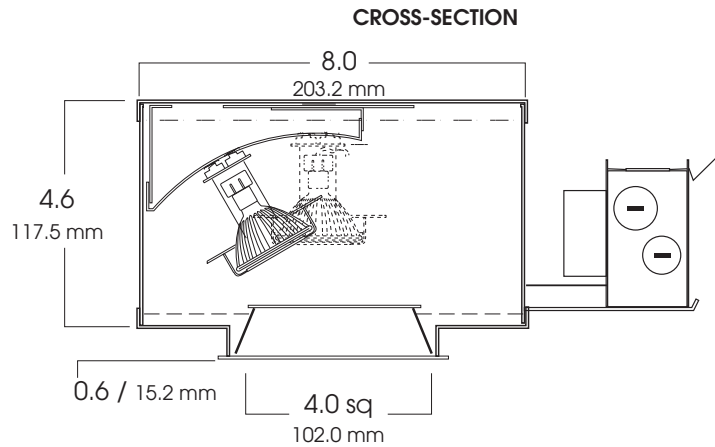
4" SQUARE RECESSED DOWNLIGHT ADJUSTABLE MR16 LAMP 75 WATT MAX



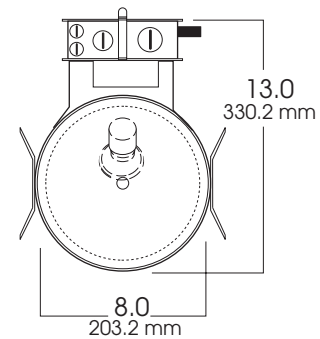
FEATURES & SPECIFICATIONS:

- EFEX² Series CF Square aperture. Series features shallow plenum and deep cutoff.
- Intended for Non-IC new construction. For IC applications, refer to page 1-400.
- Frame constructed of 20 ga. aluminum.
- Supplied with 27" long, heavy ga. galvanized steel bar hangers.
- Electronic transformer is standard.
- UL Listed for Damp Locations.
- For options detail, see page numbers listed below.

Max Ceiling Thickness: 1.0 (25.4 mm)
Ceiling Cutout: 5.0² (127.0 mm)²
Fixture Weight: 5.0 lbs

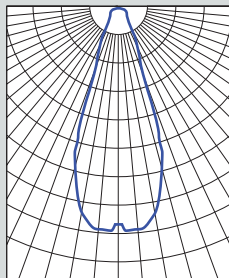


TOP VIEW



DISTANCE FROM CEILING	DIAMETER OF CIRCLE
5.5	60
7.5	32
9.5	20
11.5	14
13.5	10

CONE OF LIGHT



AG4SQ37w - Efficiency: 85.0%
Spacing: 0.66

SERIES	TRANSFORMER	OPTIONS	TRIM / FINISH	TRIM OPTIONS	FIXTURE LAMPING				
SGAG4SQ- Spectrum Gold 4" Vertical Adjustable Square	E1 -Electronic, 120v E2 -Electronic, 277v MGN-1 -Magnetic Transformer 120v MGN-2 -Magnetic Transformer 277v	BH6 -Expandable Bar Hangers, 6" - 12" BH12 -Expandable Bar Hangers, 12" - 24" CB24 -C-Channel bars 1-470 CCEA -Chicago Ceiling Plenum CCEA 1-480 CR -Corrosion Resistant 1-460 FS -Fuse holder and fuse IC -Insulation Contact 1-400 MWL(**) -Maximum Wattage dedicated transformer and label (20w, 37w, 50w) PR -Plaster Ring 1-430 RM -Remodeler Housing 1-450 TBC -T-bar clips 1-475 TR -Top Relamping Option	AR0204-SG -Semi-Diffuse Low Iridescent (standard) GM -Corrugated Soft Glow GO -Gold Alzak MB -Matte Black MW -Matte White PW -Pewter Alzak UM -Umber Alzak WE -Wheat Alzak BF -Black Flange WF -White Flange CC -Custom Color	GL -Clear Glass lens (standard) GS -Gasket IX -Micro Prism Industretx™ lens PG -Prismatic (T73) lens WL -Wet Location (See Page 1-470)	<table border="1"> <thead> <tr> <th>LAMP</th> <th>MAX. WATTAGE</th> </tr> </thead> <tbody> <tr> <td>MR-16</td> <td>75w</td> </tr> </tbody> </table> <p>* For 75w lamp, use Philips or Ushio-America or consult factory</p>	LAMP	MAX. WATTAGE	MR-16	75w
LAMP	MAX. WATTAGE								
MR-16	75w								
SGAG4SQ	E1	CB24	AR0204 SG	GL					

Note: Polished flange is standard.

* For available Louvers and Lenses see Page 1-410

Dimensions shown are nominal. Spectrum Lighting is continually improving products and reserves the right to make changes that will not alter performance or appearance with or without written notice.



PROJECT:	TYPE:
CAT. NO.:	

