

9" INCANDESCENT SERIES PAR46 / PAR56 OPEN REFLECTOR 500 WATT MAX

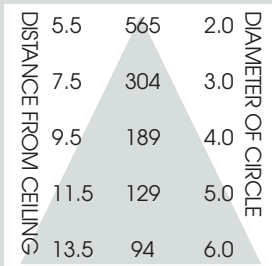
A9IN
SPECTRUM
GOLD SERIES™



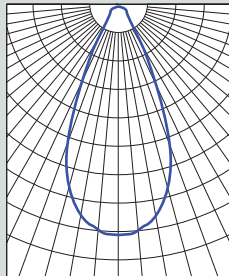
FEATURES & SPECIFICATIONS:

- Series features a 35° of vertical adjustment with 359° of axial rotation for optimal positioning.
- Intended for Non-IC new construction.
- Frame constructed of 20 ga. aluminum.
- Supplied with 27" long, heavy ga. galvanized steel bar hangers.
- **120 Volt** is standard. Use option **T277** for 277v supply feed.
- UL Listed for Damp Locations.
- For options detail, see page numbers listed below.

Max Ceiling Thickness: 1.5 (38.1 mm)
Ceiling Cutout: 10.0 Ø (254.0 mm Ø)
Fixture Weight: 10.0 lbs

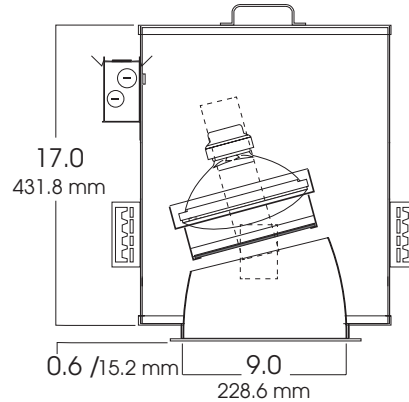


CONE OF LIGHT

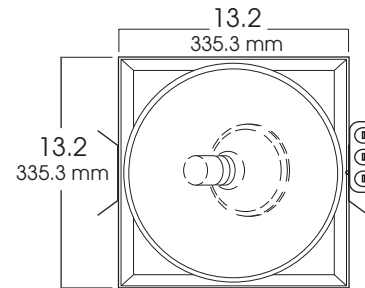


9INM500w- Efficiency: 80.0%
Spacing: 0.44

CROSS-SECTION



TOP VIEW



SERIES	LAMP	OPTIONS	TRIM / FINISH	TRIM OPTIONS	FIXTURE LAMPING						
SGA9IN- Spectrum Gold 9" Vertical Adjustable	PAR46 PAR56-300 PAR56-500	CB24 -C-Channel bars 1-470 CCEA -Chicago Ceiling Plenum CCEA 1-480 CR -Corrosion Resistant 1-460 FS -Fuse holder and fuse PR -Plaster Ring 1-430 TBC -T-bar clips 1-475 TR -Top Relamping Option T277 -Step down Transformer 277v to 120v	AR9550-SG -Semi-Diffuse Low Iridescient (standard) CL -Clear Bright Alzak GO -Gold Alzak HZ -Matte Low Iridescient PW -Pewter Alzak UM -Umber Alzak WE -Wheat Alzak BL -Black Finish WH -White Finish PF -Polished Flange	GL -Clear Glass lens (standard) FG -Frosted Glass GS -Gasket PG -Prismatic (T73) lens WL -Wet Location (See Page 1-470)	<table border="1"> <thead> <tr> <th>LAMP</th> <th>MAX. WATTAGE</th> </tr> </thead> <tbody> <tr> <td>PAR 46¹</td> <td rowspan="3">up to 200w up to 300w 500w</td> </tr> <tr> <td>PAR 56²</td> </tr> <tr> <td>PAR 56³</td> </tr> </tbody> </table> <p>¹ Medium Side Prong Base ² Mogul End Prong Base ³ Extended Mogul End Prong Base NOTE: This lamping is for NON-IC only.</p>	LAMP	MAX. WATTAGE	PAR 46 ¹	up to 200w up to 300w 500w	PAR 56 ²	PAR 56 ³
LAMP	MAX. WATTAGE										
PAR 46 ¹	up to 200w up to 300w 500w										
PAR 56 ²											
PAR 56 ³											
SGA9IN	PAR56-300	CB24	AR9550 SG	GS	<p>*For Available Decorative Architectural Trims, see page 1-490</p>						

Dimensions shown are nominal. Spectrum Lighting is continually improving products and reserves the right to make changes that will not alter performance or appearance with or without written notice.



PROJECT:	TYPE:
CAT. NO.:	

