



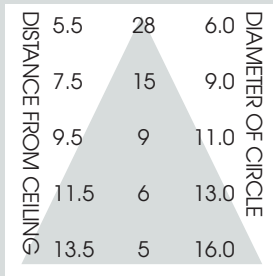
# 8" VERTICAL FLUORESCENT ADJUSTABLE 1 x 42 WATT MAX

**A8V**  
**SPECTRUM**  
**GOLD SERIES™**

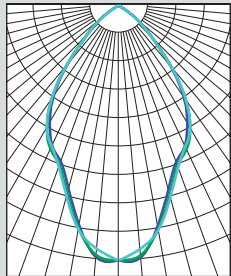
## FEATURES & SPECIFICATIONS:

- SGA8V features a 30° adjustment from vertical with a 359° axial rotation.
- Intended for Non-IC new construction. For IC applications, refer to page 1-400.
- Frame constructed of 20 ga. galvanized steel.
- Supplied with 27" long, heavy ga. galvanized steel bar hangers.
- Ballasts shall be integrally mounted, electronic sound rated "A", Class P, multi-volt 120v – 277v.
- Upper reflector finish to match specified trim/finish.
- UL Listed for Damp Locations.
- For options detail, see page numbers listed below.

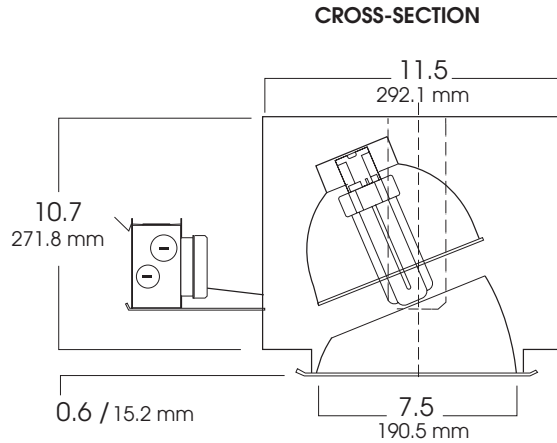
Max Ceiling Thickness: 1.0 (25.4 mm)  
Ceiling Cutout: 8.0 Ø (203.2mm Ø)  
Fixture Weight: 7.0 lbs



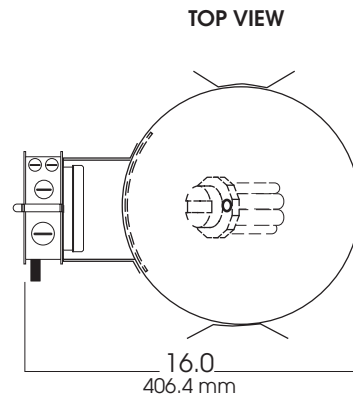
CONE OF LIGHT



A8V132w - Efficiency: 38.8%  
Spacing: 0.83



CROSS-SECTION



TOP VIEW

SERIES	WATTS	BALLAST	OPTIONS	TRIM / FINISH	TRIM OPTIONS
<b>SGA8V-</b> Spectrum Gold 8" Adjustable Vertical	<b>*113</b> <b>*118</b> <b>*126</b> <b>*132</b> <b>*142</b>	<b>EX</b> -Electronic, multi-volt 120v thru 277v <b>DA1</b> -Advance Mark 10™ powerline dimming, 120v <b>DA2</b> -Advance Mark 10™ powerline dimming, 277v <b>DAM7</b> -Advance Mark 7™ 0-10v dimming, 120v thru 277v <b>DL1</b> -Lutron Compact SE™ 120v (min. dimming level 5%) <sup>1</sup> <b>DL2</b> -Lutron Compact SE™ 277v (min. dimming level 5%) <sup>1</sup>	<b>CB24</b> -C-Channel bars 1-470 <b>CCEA</b> -Chicago Ceiling Plenum CCEA 1-480 <b>CR</b> -Corrosion Resistant 1-460 <b>EM</b> -Emergency battery pack 1-420 <b>FS</b> -Fuse holder and fuse <b>IC</b> -Insulation Contact 1-400 <b>PR</b> -Plaster Ring 1-430 <b>RM</b> -Remodeler Housing 1-450 <b>SCA</b> -Slope Ceiling Adaptor 1-435 <b>TBC</b> -T-bar clips 1-475 <b>TST</b> -Twist-Lok Socket 1-425	<b>AR8500-SG</b> -Semi-Diffuse Low Iridescent (standard) <b>CL</b> -Clear Bright Alzak <b>GO</b> -Gold Alzak <b>HZ</b> -Matte Low Iridescent <b>PW</b> -Pewter Alzak <b>UM</b> -Umber Alzak <b>WE</b> -Wheat Alzak <b>BL</b> -Black Finish <b>WH</b> -White Finish <b>PF</b> -Polished Flange  Note: White flange is standard.	<b>GL</b> -Clear Glass lens <b>GS</b> -Gasket <b>PA</b> -Prismatic Acrylic lens <b>PG</b> -Prismatic (T73) lens <b>WL</b> -Wet Location 1-470
<b>SGA8V</b>	<b>132</b>	<b>EX</b>	<b>EM/</b>	<b>AR8500 SG</b>	<b>GS</b>

\*Triple Tube  
Lamps

Dimensions shown are nominal. Spectrum Lighting is continually improving products and reserves the right to make changes that will not alter performance or appearance with or without written notice.



<b>PROJECT:</b>	<b>TYPE:</b>
<b>CAT. NO.:</b>	

