

# 8" METAL HALIDE SERIES ADJUSTABLE PAR 30L / 38 LAMP 150 WATT MAX

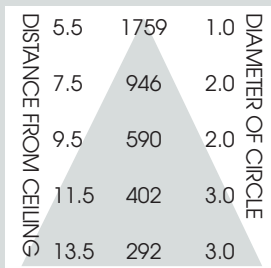
## A8MH SPECTRUM GOLD SERIES™



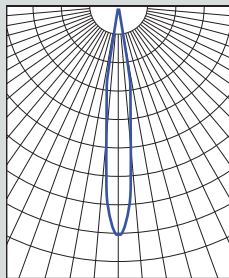
### FEATURES & SPECIFICATIONS:

- 8" Aperture PAR Metal Halide Platform. Features a 35° adjustment from vertical with a 359° axial rotation.
- Intended for Non-IC new construction.
- Frame constructed of 20 ga. aluminum.
- Supplied with 27" long, heavy ga. galvanized steel bar hangers.
- Ballasts shall be integrally mounted, electronic sound rated "A", multi-volt 120v or 277v.
- UL Listed for Damp Locations.
- For options detail, see page numbers listed below.

Max Ceiling Thickness: 1.0 (25.4 mm)  
Ceiling Cutout: 8.0 Ø (203.2 mm Ø)  
Fixture Weight: 7.0 lbs

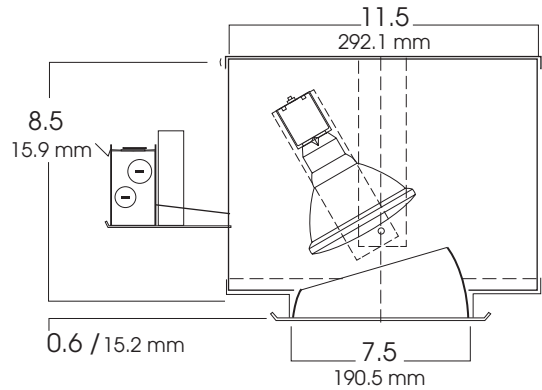


CONE OF LIGHT

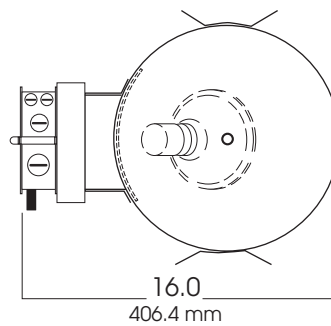


A8MH100w - Efficiency: 95.9%  
Spacing: 0.24

CROSS-SECTION



TOP VIEW



### FIXTURE LAMPING \*

**PAR30L - 39W, 70W**  
**PAR38 - 70W thru 150W**  
\*All lamps are medium base

SERIES	WATTS	BALLAST	LAMP	OPTIONS	TRIM / FINISH	TRIM OPTIONS
<b>SGA8MH-</b> Spectrum Gold 8" Vertical Adjustable	<b>39</b> <b>70</b> <b>100</b> <b>150<sup>1</sup></b>	<b>EX</b> -Electronic, multi-volt 120v or 277v <b>E1</b> -Electronic 120v (150w only) <b>E2</b> -Electronic 277v (150w only)	<b>PAR30L</b> <b>PAR38</b>	<b>CB24</b> -C-Channel bars 1-470 <b>CCEA</b> -Chicago Ceiling Plenum CCEA 1-480 <b>CR</b> -Corrosion Resistant 1-460 <b>FS</b> -Fuse holder and fuse <b>PR</b> -Plaster Ring 1-430 <b>SCA</b> -Slope Ceiling Adaptor 1-435 <b>TBC</b> -T-bar clips 1-475 <b>TR</b> -Top Relamping Option <b>QRS120</b> -Quartz Restrike-120v <b>QRS277</b> -Quartz Restrike-277v	<b>AR8500-SG</b> -Semi-Diffuse Low Iridescent (standard) <b>CL</b> -Clear Bright Alzak <b>GO</b> -Gold Alzak <b>HZ</b> -Matte Low Iridescent <b>PW</b> -Pewter Alzak <b>UM</b> -Umber Alzak <b>WE</b> -Wheat Alzak <b>BL</b> -Black Finish <b>WH</b> -White Finish <b>PF</b> -Polished Flange	<b>GL</b> -Clear Glass lens <b>PG</b> -Prismatic (T73) lens <b>SO</b> -Micro Prism Solite™ lens <b>FG</b> -Frosted Glass <b>GS</b> -Gasket <b>WL</b> -Wet Location 1-470
<b>SGA8MH</b>	<b>70</b>	<b>EX</b>	<b>PAR38</b>	<b>CB24</b>	<b>AR8500 SG</b>  Note: White flange is standard.	<b>GL</b>

Dimensions shown are nominal. Spectrum Lighting is continually improving products and reserves the right to make changes that will not alter performance or appearance with or without written notice.



<b>PROJECT:</b>	<b>TYPE:</b>
<b>CAT. NO.:</b>	

