



8" INCANDESCENT SERIES

PAR30L / PAR30 / R40 ADJUSTABLE

250 WATT MAX



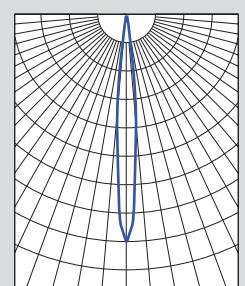
FEATURES & SPECIFICATIONS:

- Series features a 35° of vertical adjustment with 359° of axial rotation for optimum positioning.
- Intended for Non-IC new construction.
- Frame constructed of 20 ga. aluminum.
- Supplied with 27" long, heavy ga. galvanized steel bar hangers.
- **120 Volt** is standard. Use option **T277** for 277v supply feed.
- UL Listed for Damp Locations.
- For options detail, see page numbers listed below.

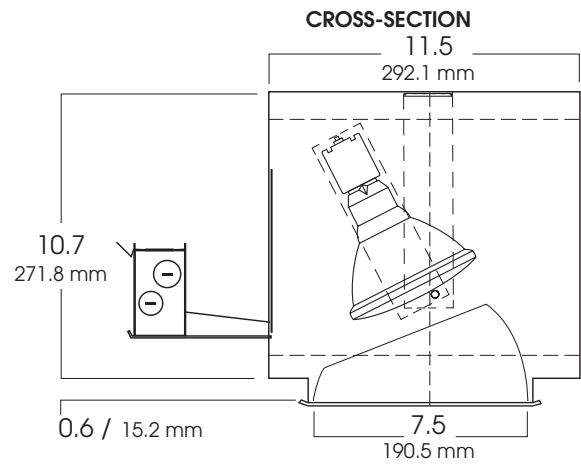
Max Ceiling Thickness:	1.5 (38.1 mm)
Ceiling Cutout:	8.0 Ø (203.2 mm Ø)
Fixture Weight:	6.0 lbs

5.5	1304	1.0
7.5	701	1.0
9.5	437	2.0
11.5	298	2.0
13.5	216	2.0

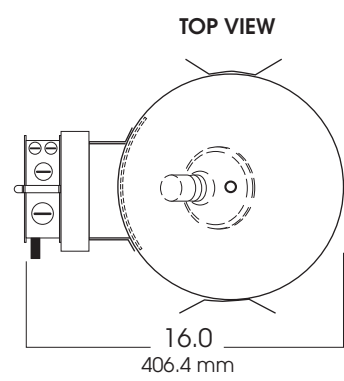
CONE OF LIGHT



A8IN250w-Efficiency: 89.1% Spacing: 0.18



CROSS-SECTION



TOP VIEW

SERIES	OPTIONS	TRIM / FINISH	TRIM OPTIONS	FIXTURE LAMPING*								
SGA8IN- Spectrum Gold 8" Adjustable	CB24 -C-Channel bars 1-470 CCEA -Chicago Ceiling Plenum CCEA 1-480 CR -Corrosion Resistant 1-460 FS -Fuse holder and fuse PR -Plaster Ring 1-430 RM -Remodeler Housing 1-450 SCA -Slope Ceiling Adaptor 1-435 TBC -T-bar clips 1-475 TR -Top Relamping Option T277 -Step down Transformer 277v to 120v	AR8500-SG -Semi-Diffuse Low Iridescent (standard) CL -Clear Bright Alzak GO -Gold Alzak HZ -Matte Low Iridescent PW -Pewter Alzak UM -Umber Alzak WE -Wheat Alzak BL -Black Finish WH -White Finish PF -Polished Flange AR8550** -Finish as Specified (for lens options) Note: White flange is standard.	GS -Gasket GL -Clear Glass Lens PG -Prismatic Glass Lens SO -Micro Prism Solite™ Lens	<table border="1"> <thead> <tr> <th>LAMP</th> <th>MAX. WATTAGE</th> </tr> </thead> <tbody> <tr> <td>PAR 30L</td> <td>75w</td> </tr> <tr> <td>PAR 38</td> <td>250w</td> </tr> <tr> <td>R 40</td> <td>250w</td> </tr> </tbody> </table> <p>*Medium Base</p>	LAMP	MAX. WATTAGE	PAR 30L	75w	PAR 38	250w	R 40	250w
LAMP	MAX. WATTAGE											
PAR 30L	75w											
PAR 38	250w											
R 40	250w											
SGA8IN	CB24	AR8500 SG	GS									

Dimensions shown are nominal. Spectrum Lighting is continually improving products and reserves the right to make changes that will not alter performance or appearance with or without written notice.



PROJECT:	TYPE:
CAT. NO.:	

