



# 7" METAL HALIDE SERIES LENSED T4 / T6 LAMP 150 WATT MAX

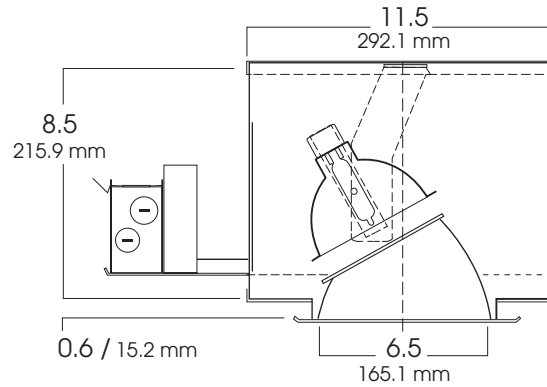
**A7MH**  
**SPECTRUM**  
**GOLD SERIES™**

### FEATURES & SPECIFICATIONS:

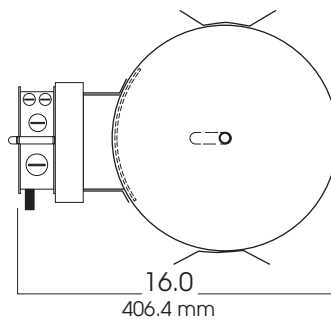
- 7" Aperture T4 / T6 Metal Halide Platform. Features a 45° adjustment from vertical with a 359° axial rotation.
- Intended for Non-IC new construction.
- Frame constructed of 20 ga. aluminum.
- Supplied with 27" long, heavy ga. galvanized steel bar hangers.
- Ballasts shall be integrally mounted, electronic sound rated "A", multi-volt 120v or 277v.
- UL Listed for Damp Locations.
- For options detail, see page numbers listed below.

Max Ceiling Thickness: 1.0 (25.4 mm)  
Ceiling Cutout: 7.3 Ø (185.4 mm Ø)  
Fixture Weight: 7.0 lbs

CROSS-SECTION



TOP VIEW



### FIXTURE LAMPING

**T4 - 20W thru 70W**  
**T6 - 39W thru 150W**

| SERIES  | WATTS   | BALLAST  | LAMP                   | DISTRIBUTION  | OPTIONS   | TRIM / FINISH  | TRIM OPTIONS  |
|---|---|--|------------------------|---|---|--|---|
| <b>SGA7MH-</b><br>Spectrum<br>Gold 7"<br>Vertical<br>Lensed<br>Adjustable | <b>20</b><br><b>39</b><br><b>70</b><br><b>150<sup>1</sup></b> | <b>EX</b> -Electronic,<br>multi-volt<br>120v or 277v<br><b>E1</b> -Electronic<br>120v (150w<br>only)<br><b>E2</b> -Electronic<br>277v (150w<br>only) | <b>T4</b><br><b>T6</b> | <b>ND</b> -Narrow<br><b>MD</b> -Medium<br><b>WD</b> -Wide | <b>CB24</b> -C-Channel bars<br>1-470<br><b>CCEA</b> -Chicago Ceiling<br>Plenum CCEA 1-480<br><b>CR</b> -Corrosion<br>Resistant 1-460<br><b>FS</b> -Fuse holder and fuse<br><b>PR</b> -Plaster Ring 1-430<br><b>TBC</b> -T-bar clips 1-475<br><b>TR</b> -Top Relamping<br>Option<br><b>QRS120</b> -Quartz Restrike-120v<br><b>QRS277</b> -Quartz Restrike-277v | <b>AR7550-SG</b> -Semi-Diffuse<br>Low Iridescent<br>(standard)<br><b>CL</b> -Clear Bright<br>Alzak<br><b>GO</b> -Gold Alzak<br><b>HZ</b> -Matte Low<br>Iridescent<br><b>PW</b> -Pewter Alzak<br><b>UM</b> -Umber Alzak<br><b>WE</b> -Wheat Alzak<br><b>BL</b> -Black Finish<br><b>WH</b> -White Finish<br><b>PF</b> -Polished Flange<br><br><b>AR7550-SLWW</b> -Spread Lens<br>Wall Wash<br><br>Note: White flange is<br>standard. | <b>GL</b> -Clear Glass lens<br><b>PG</b> -Prismatic (173) lens<br><b>SO</b> -Micro Prism Solite™<br>lens<br><b>FG</b> -Frosted Glass Lens<br><b>GS</b> -Gasket<br><b>WL</b> -Wet Location 1-470 |
| <b>SGA7MH</b>   | <b>150</b>  | <b>EX</b>  | <b>T6</b>              | <b>MD</b>   | <b>CB24</b>   | <b>AR7550 SG</b>   | <b>GL</b>   |

Dimensions shown are nominal. Spectrum Lighting is continually improving products and reserves the right to make changes that will not alter performance or appearance with or without written notice.



|                  |              |
|------------------|--------------|
| <b>PROJECT:</b>  | <b>TYPE:</b> |
| <b>CAT. NO.:</b> |              |

