

7" METAL HALIDE SERIES ADJUSTABLE PAR 30 / 38 LAMP 150 WATT MAX

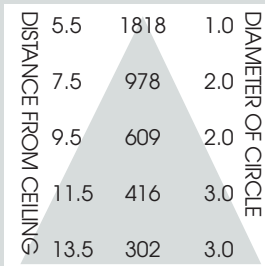
A7MH SPECTRUM GOLD SERIES™



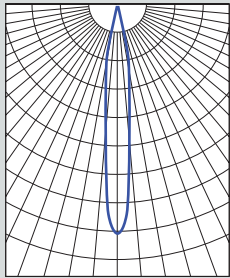
FEATURES & SPECIFICATIONS:

- 7" Aperture PAR Metal Halide Platform. Features a 45° adjustment from vertical with a 359° axial rotation.
- Intended for Non-IC new construction.
- Frame constructed of 20 ga. aluminum.
- Supplied with 27" long, heavy ga. galvanized steel bar hangers.
- Ballasts shall be integrally mounted, electronic sound rated "A", multi-volt 120v or 277v.
- UL Listed for Damp Locations.
- For options detail, see page numbers listed below.

Max Ceiling Thickness: 1.0 (25.4 mm)
Ceiling Cutout: 7.3 Ø (185.4 mm Ø)
Fixture Weight: 7.0 lbs

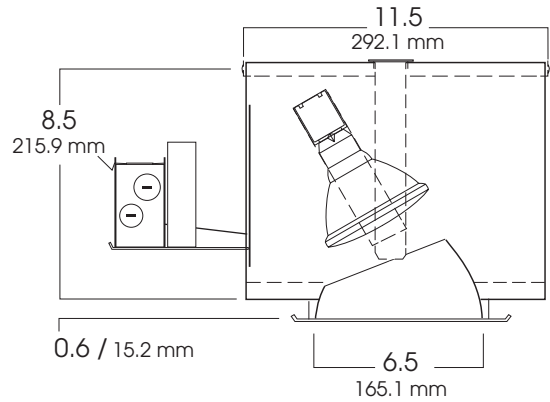


CONE OF LIGHT

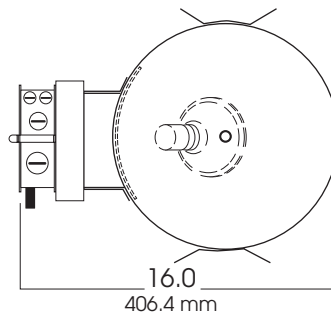


A7MH100w-Efficiency: 99.1%
Spacing: 0.24

CROSS-SECTION



TOP VIEW



FIXTURE LAMPING *

PAR30L - 39W, 70W
PAR38 - 70W thru 150W

*medium base

SERIES	WATTS	BALLAST	LAMP	OPTIONS	TRIM / FINISH	TRIM OPTIONS
SGA7MH-	39	EX -Electronic, multi-volt 120v or 277v	PAR30L	CB24 -C-Channel bars 1-470	AR7500-SG -Semi-Diffuse Low Iridescent (standard)	GL -Clear Glass lens
Spectrum Gold	70	E1 -Electronic 120v (150w only)	PAR38	CCEA -Chicago Ceiling Plenum CCEA 1-480	CL -Clear Bright Alzak	PG -Prismatic (173) lens
7" Vertical	100	E2 -Electronic 277v (150w only)		CR -Corrosion Resistant 1-460	GO -Gold Alzak	SO -Micro Prism Solite™ lens
Adjustable	150 ¹			FS -Fuse holder and fuse	HZ -Matte Low Iridescent	FG -Frosted Glass Lens
				PR -Plaster Ring 1-430	PW -Pewter Alzak	GS -Gasket
				TBC -T-bar clips 1-475	UM -Umber Alzak	WL -Wet Location 1-470
				TR -Top Relamping Option	WE -Wheat Alzak	
				QRS120 -Quartz Restrike-120v	BL -Black Finish	
				QRS277 -Quartz Restrike-277v	WH -White Finish	
					PF -Polished Flange	
					Note: White flange is standard.	
SGA7MH	70	EX	PAR38	CB24	AR7500 SG	GL

Dimensions shown are nominal. Spectrum Lighting is continually improving products and reserves the right to make changes that will not alter performance or appearance with or without written notice.



PROJECT: _____ TYPE: _____
CAT. NO.: _____

