



# 7" METAL HALIDE SERIES ADJUSTABLE ED17 LAMP

150 WATT MAX

**A7MH**  
SPECTRUM  
GOLD SERIES™

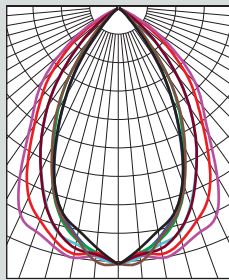
### FEATURES & SPECIFICATIONS:

- 7" Aperture ED17 Metal Halide Platform. Features a 35° adjustment from vertical with a 359° axial rotation.
- Intended for Non-IC new construction.
- Frame constructed of 20 ga. aluminum.
- Supplied with 27" long, heavy ga. galvanized steel bar hangers.
- Ballasts shall be integrally mounted, electronic sound rated "A", multi-volt 120v or 277v.
- UL Listed for Damp Locations.
- For options detail, see page numbers listed below.

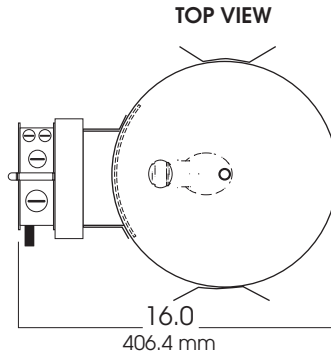
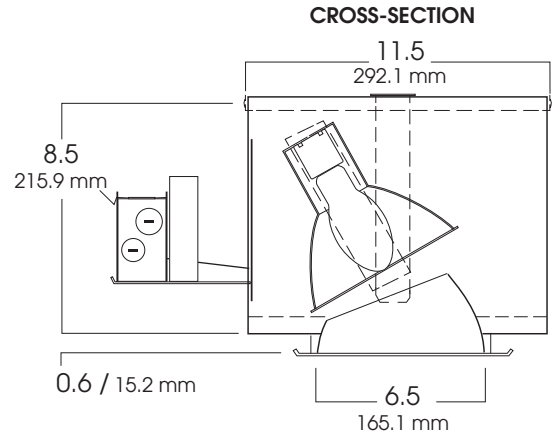
Max Ceiling Thickness: 1.0 (25.4 mm)  
Ceiling Cutout: 7.3 Ø (185.4 mm Ø)  
Fixture Weight: 7.0 lbs

DISTANCE FROM CEILING	DIAMETER OF CIRCLE
5.5	78
7.5	42
9.5	26
11.5	18
13.5	13

CONE OF LIGHT



A7MH100w-Efficiency: 39.7%  
Spacing: 0.84



**FIXTURE LAMPING<sup>1</sup>**  
**ED17<sup>2</sup> - 50W thru 150W**  
<sup>1</sup>All lamps are medium base  
<sup>2</sup> Open Rated only

SERIES	WATTS	BALLAST	LAMP	OPTIONS	TRIM / FINISH	TRIM OPTIONS
SGA7MH- Spectrum Gold 7" Vertical Adjustable	50 70 100 150 <sup>1</sup>	EX -Electronic, multi-volt 120v or 277v E1 -Electronic 120v (150w only) E2 -Electronic 277v (150w only)	ED17	CB24 -C-Channel bars 1-470 CCEA -Chicago Ceiling Plenum CCEA 1-480 CR -Corrosion Resistant 1-460 FS -Fuse holder and fuse PR -Plaster Ring 1-430 TBC -T-bar clips 1-475 TR -Top Relamping Option QRS120 -Quartz Restrike-120v QRS277 -Quartz Restrike-277v	AR7500-SG -Semi-Diffuse Low Iridescent (standard) CL -Clear Bright Alzak GO -Gold Alzak HZ -Matte Low Iridescent PW -Pewter Alzak UM -Umber Alzak WE -Wheat Alzak BL -Black Finish WH -White Finish PF -Polished Flange	GL -Clear Glass lens PG -Prismatic (173) lens SO -Micro Prism Solite™ lens FG -Frosted Glass Lens GS -Gasket WL -Wet Location 1-470
<b>SGA7MH</b>	<b>50</b>	<b>EX</b>	<b>ED17</b>	<b>CB24</b>	<b>AR7500 SG</b>	<b>GL</b>

<sup>1</sup> Must specify voltage

Note: White flange is standard.

Dimensions shown are nominal. Spectrum Lighting is continually improving products and reserves the right to make changes that will not alter performance or appearance with or without written notice.



PROJECT:	TYPE:
CAT. NO.:	

