



6" SQUARE ADJUSTABLE DOWNLIGHT R30 / PAR30L / PAR38 LAMP 150 WATT MAX



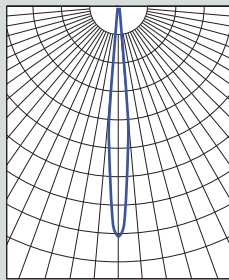
FEATURES & SPECIFICATIONS:

- EFEX² Series IN Square aperture. Series features shallow plenum and deep cutoff.
- Intended for Non-IC new construction. For IC applications, refer to page 1-400.
- Frame constructed of 20 ga. aluminum.
- Supplied with 27" long, heavy ga. galvanized steel bar hangers.
- **120 Volt** is standard. Use option **T277** for 277v supply feed.
- UL Listed for Damp Locations.
- For options detail, see page numbers listed below.

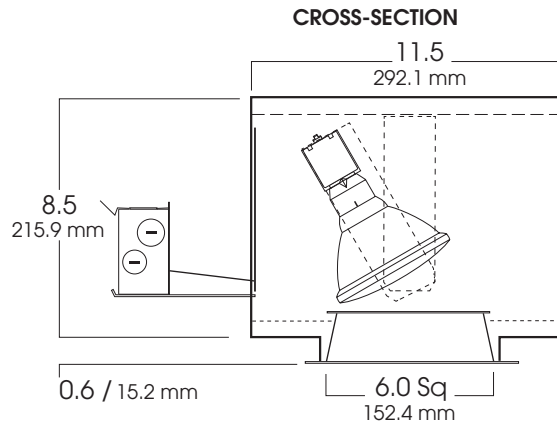
Max Ceiling Thickness:	1.0 (25.4 mm)
Ceiling Cutout:	7.0 ² (177.8 mm) ²
Fixture Weight:	6.0 lbs

5.5	633	1.0
7.5	356	1.0
9.5	222	1.0
11.5	152	2.0
13.5	110	2.0

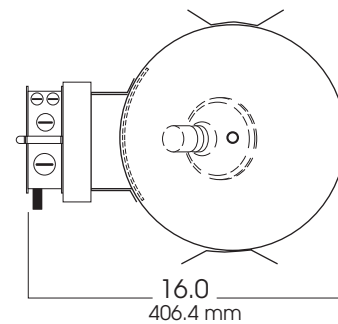
CONE OF LIGHT



A6SQIN100w - Efficiency: 80.7%
Spacing: 0.16



TOP VIEW



SERIES	OPTIONS	TRIM / FINISH	TRIM OPTIONS	FIXTURE LAMPING *								
SGA6SQIN- Spectrum Gold 6" Square Adjustable	CB24 -C-Channel bars 1-470 CCEA -Chicago Ceiling Plenum CCEA 1-480 CR -Corrosion Resistant 1-460 FS -Fuse holder and fuse PR -Plaster Ring 1-430 RM -Remodeler Housing 1-450 TBC -T-bar clips 1-475 TR -Top Relamping Option T277 -Step down Transformer 277v to 120v	AR0306-SG -Semi-Diffuse Low Iridescent (standard) GM -Corrugated Soft Glow GO -Gold Alzak MB -Matte Black MW -Matte White PW -Pewter Alzak UM -Umber Alzak WE -Wheat Alzak BF -Black Flange WF -White Flange CC -Custom Color	GL -Clear Glass lens GS -Gasket PG -Prismatic (T73) lens SO -Micro Prism Solite™ lens SK -Skytek™ linear lens WL -Wet Location (See Page 1-470)	<table border="1"> <thead> <tr> <th>LAMP</th> <th>MAX. WATTAGE</th> </tr> </thead> <tbody> <tr> <td>R 30</td> <td>100w</td> </tr> <tr> <td>PAR 30L</td> <td>75w</td> </tr> <tr> <td>PAR 38</td> <td>150w</td> </tr> </tbody> </table> <p>*Medium Base</p>	LAMP	MAX. WATTAGE	R 30	100w	PAR 30L	75w	PAR 38	150w
	LAMP	MAX. WATTAGE										
R 30	100w											
PAR 30L	75w											
PAR 38	150w											
SGA6SQIN CB24	AR0306 SG	GL										

Note: Polished flange is standard.

Dimensions shown are nominal. Spectrum Lighting is continually improving products and reserves the right to make changes that will not alter performance or appearance with or without written notice.



PROJECT:	TYPE:
CAT. NO.:	

