



5" METAL HALIDE SERIES T4 / T6 LAMP 70 WATT MAX

A5MH
SPECTRUM
GOLD SERIES™

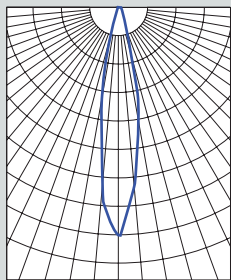
FEATURES & SPECIFICATIONS:

- 5" Aperture T4 Metal Halide Platform. Features 35° adjustment from vertical with a 359° axial rotation.
- Intended for Non-IC new construction.
- Frame constructed of 20 ga. aluminum.
- Supplied with 27" long, heavy ga. galvanized steel bar hangers.
- Ballasts shall be integrally mounted, electronic sound rated "A", multi-volt 120v or 277v.
- UL Listed for Damp Locations.
- For options detail, see page numbers listed below.

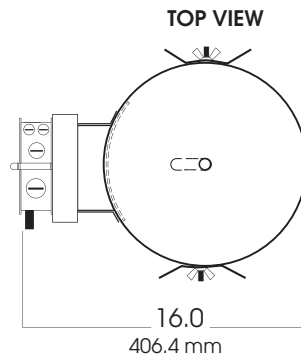
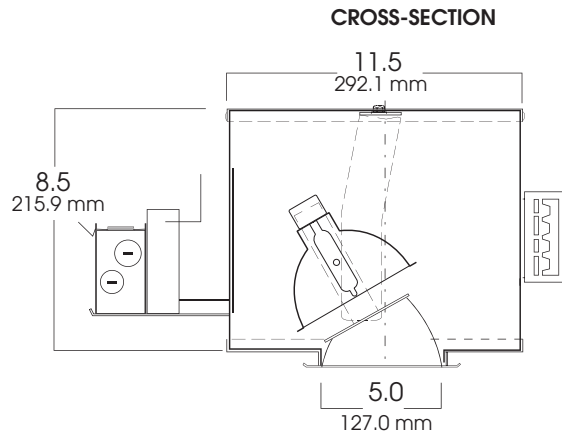
Max Ceiling Thickness: 1.0 (25.4 mm)
Ceiling Cutout: 5.8 Ø (147.3 mm Ø)
Fixture Weight: 5.2 lbs

DISTANCE FROM CEILING	DIAMETER OF CIRCLE
5.5	1081
7.5	581
9.5	362
11.5	247
13.5	179

CONE OF LIGHT



A5MH70wMD - Efficiency: 83.0%
Spacing: 0.36



FIXTURE LAMPING *
T4 / T6 - 20W thru 70W
*Base T4

SERIES	WATTS	BALLAST	LAMP	DISTRIBUTION	OPTIONS	TRIM / FINISH	TRIM OPTIONS
SGA5MH-Spectrum Gold 5" Vertical Lensed Adjustable	20 39 70	EX -Electronic, multi-volt 120v thru 277v	T4 T6	ND -Narrow MD -Medium WD -Wide	CB24 -C-Channel bars 1-470 CCEA -Chicago Ceiling Plenum CCEA 1-480 CR -Corrosion Resistant 1-460 FS -Fuse holder and fuse PR -Plaster Ring 1-430 TBC -T-bar clips 1-475 TR -Top Relamping Option QRS120 -Quartz Restrike-120v QRS277 -Quartz Restrike-277v	AR5550-SG -Semi-Diffuse Low Iridescent (standard) CL -Clear Bright Alzak GO -Gold Alzak HZ -Matte Low Iridescent PW -Pewter Alzak UM -Umber Alzak WE -Wheat Alzak BL -Black Finish WH -White Finish PF -Polished Flange AR5550-SLWW -Spread Lens Wall Wash Note: White flange is standard.	GL -Clear Glass lens PG -Prismatic (T73) lens SO -Micro Prism Solite™ lens FG -Frosted Glass Lens GS -Gasket WL -Wet Location 1-470 *For Available Decorative Architectural Trims, see page 1-490
SGA5MH	70	EX	T6	MD	CB24	AR5550 SG	GL

Dimensions shown are nominal. Spectrum Lighting is continually improving products and reserves the right to make changes that will not alter performance or appearance with or without written notice.



PROJECT:	TYPE:
CAT. NO.:	

