

# 5" METAL HALIDE SERIES ADJUSTABLE PAR 20 / 30L LAMP 70 WATT MAX

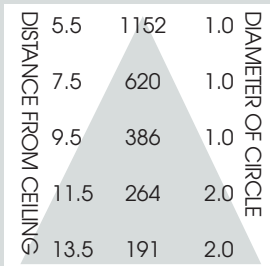
## A5MH SPECTRUM GOLD SERIES™



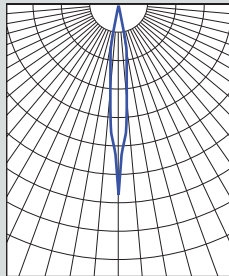
### FEATURES & SPECIFICATIONS:

- SGA5MH PAR Series features a 45° adjustment from vertical with a 359° axial rotation.
- Intended for Non-IC new construction.
- Frame constructed of 20 ga. aluminum.
- Supplied with 27" long, heavy ga. galvanized steel bar hangers.
- Ballasts shall be integrally mounted, electronic sound rated "A", multi-volt 120v or 277v.
- UL Listed for Damp Locations.
- For options detail, see page numbers listed below.

Max Ceiling Thickness: 1.0 (25.4 mm)  
Ceiling Cutout: 5.8 Ø (147.3 mm Ø)  
Fixture Weight: 7.0 lbs

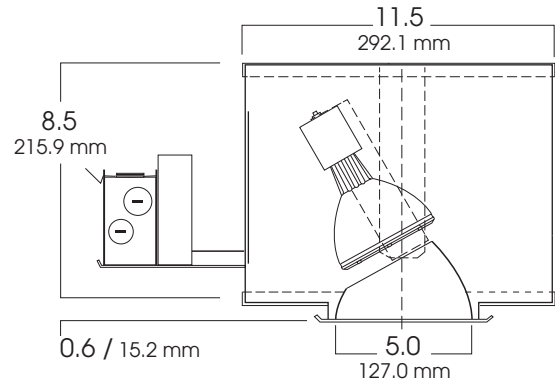


CONE OF LIGHT

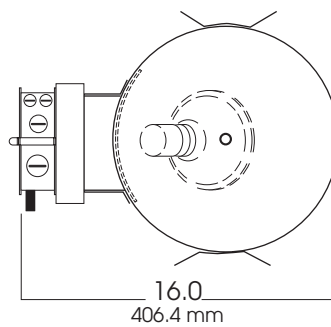


A5MH39w- Efficiency: 91.9%  
Spacing: 0.14

CROSS-SECTION



TOP VIEW



### FIXTURE LAMPING \*

**PAR20 - 20W, 39W**  
**PAR30L - 39W, 70W**

\*Medium base

SERIES	WATTS	BALLAST	LAMP	OPTIONS	TRIM / FINISH	TRIM OPTIONS
SGA5MH- Spectrum Gold 5" Vertical Adjustable	20 39 70	EX -Electronic, multi-volt 120v thru 277v	PAR20 PAR30L	CB24 -C-Channel bars 1-470 CCEA -Chicago Ceiling Plenum CCEA 1-480 CR -Corrosion Resistant 1-460 FS -Fuse holder and fuse PR -Plaster Ring 1-430 TBC -T-bar clips 1-475 QRS120 -Quartz Restrike-120v QRS277 -Quartz Restrike-277v	AR5500-SG -Semi-Diffuse Low Iridescent (standard) CL -Clear Bright Alzak GO -Gold Alzak HZ -Matte Low Iridescent PW -Pewter Alzak UM -Umber Alzak WE -Wheat Alzak BL -Black Finish WH -White Finish PF -Polished Flange  AR5550-SLWW -Spread Lens Wall Wash	GL -Clear Glass lens PG -Prismatic (T73) lens SO -Micro Prism Solite™ lens FG -Frosted Glass Lens GS -Gasket WL -Wet Location 1-470
<b>SGA5MH</b>	<b>70</b>	<b>EX</b>	<b>PAR30L</b>	<b>CB24</b>	<b>AR5500 SG</b>	<b>GS</b>

Note: White flange is standard.

\*For Available  
Decorative  
Architectural Trims,  
see page 1-490

Dimensions shown are nominal. Spectrum Lighting is continually improving products and reserves the right to make changes that will not alter performance or appearance with or without written notice.



PROJECT:	TYPE:
CAT. NO.:	

