



5" ADJUSTABLE DOWNLIGHT PAR20 / PAR30 LAMP 75 WATT MAX

A5IN
SPECTRUM
GOLD SERIES™

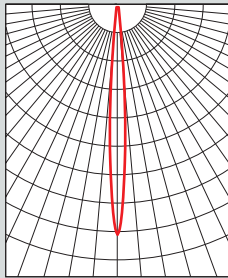
FEATURES & SPECIFICATIONS:

- Series features up to 39° of vertical adjustment with 359° of axial rotation.
- Intended for Non-IC new construction. For IC applications, refer to page 1-400.
- Frame constructed of 20 ga. aluminum.
- Supplied with 27" long, heavy ga. galvanized steel bar hangers.
- **120 Volt** is standard. Use option **T277** for 277v supply feed.
- UL Listed for Damp Locations.
- For options detail, see page numbers listed below.

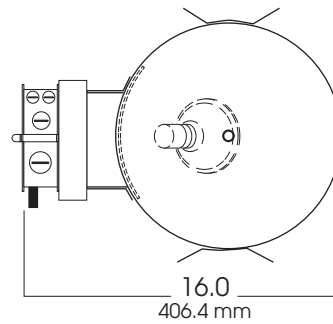
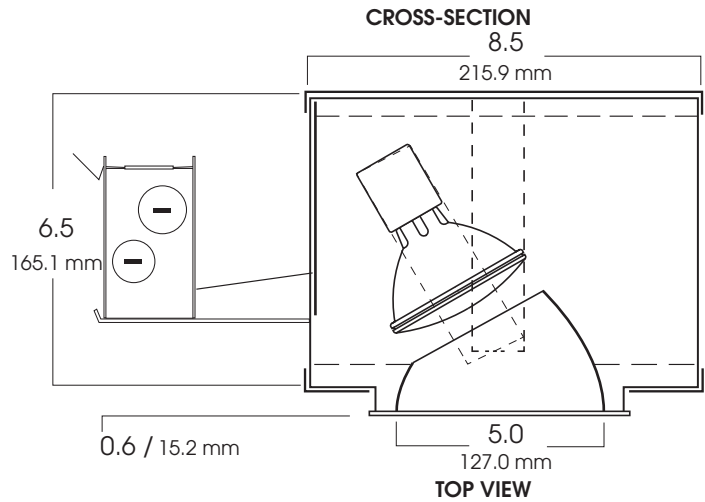
Max Ceiling Thickness: 1.5 (38.1 mm)
Ceiling Cutout: 5.6 Ø (142.9 mm Ø)
Fixture Weight: 6.0 lbs

DISTANCE FROM CEILING		DIAMETER OF CIRCLE
5.5	375	1.0
7.5	202	1.0
9.5	126	1.0
11.5	86	2.0
13.5	62	2.0

CONE OF LIGHT



A5IN75w - Efficiency: 75.3%
Spacing: 0.16



SERIES	OPTIONS	TRIM / FINISH	TRIM OPTIONS	FIXTURE LAMPING*						
SGA5IN- Spectrum Gold 5" Vertical Adjustable	BH6 -Expandable Bar Hangers, 6" - 12" BH12 -Expandable Bar Hangers, 12" - 24" CB24 -C-Channel bars 1-470 CCEA -Chicago Ceiling Plenum CCEA 1-480 CR -Corrosion Resistant 1-460 FS -Fuse holder and fuse IC -Insulation Contact 1-400 PR -Plaster Ring 1-430 RM -Remodeler Housing 1-450 TBC -T-bar clips 1-475 TR -Top Relamping Option T277 -Step down Transformer 277v to 120v	AR5500-SG -Semi-Diffuse Low Iridescent (standard) CL -Clear Bright Alzak GO -Gold Alzak HZ -Matte Low Iridescent PW -Pewter Alzak UM -Umber Alzak WE -Wheat Alzak BL -Black Finish WH -White Finish PF -Polished Flange BB -Black Micro Baffle WB -White Micro Baffle	GL -Clear Glass lens GS -Gasket SO -Micro Prism Solite™ lens PG -Prismatic (T73) lens	<table border="1"> <thead> <tr> <th>LAMP</th> <th>MAX. WATTAGE</th> </tr> </thead> <tbody> <tr> <td>PAR 20</td> <td>50w</td> </tr> <tr> <td>PAR 30L</td> <td>75w</td> </tr> </tbody> </table> <p>*Medium Base</p>	LAMP	MAX. WATTAGE	PAR 20	50w	PAR 30L	75w
LAMP	MAX. WATTAGE									
PAR 20	50w									
PAR 30L	75w									
SGA5IN	CB24	AR5500 SG	GL							
		Note: White flange is standard.	*For Available Decorative Architectural Trims , see page 1-490							

Dimensions shown are nominal. Spectrum Lighting is continually improving products and reserves the right to make changes that will not alter performance or appearance with or without written notice.



PROJECT:	TYPE:
CAT. NO.:	

