



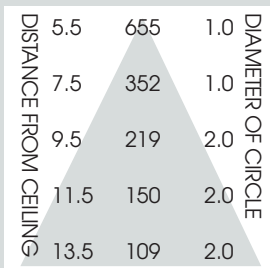
4" METAL HALIDE SERIES ADJUSTABLE / SQUARE APERTURE 39 WATT MAX

A4SQMH
SPECTRUM
GOLD SERIES™

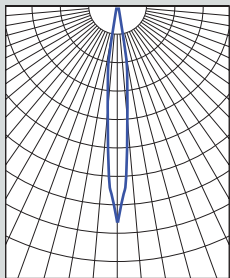
FEATURES & SPECIFICATIONS:

- EFEX2 series MH Square aperture. Fixture features 35° adjustment from vertical with a 359° axial rotation.
- Intended for Non-IC new construction. For IC applications, refer to page 1-400.
- Frame constructed of 20 ga. aluminum.
- Supplied with 27" long, heavy ga. galvanized steel bar hangers.
- Ballasts shall be integrally mounted, electronic sound rated "A", multi-volt 120v or 277v.
- UL Listed for Damp Locations.
- For options detail, see page numbers listed below.

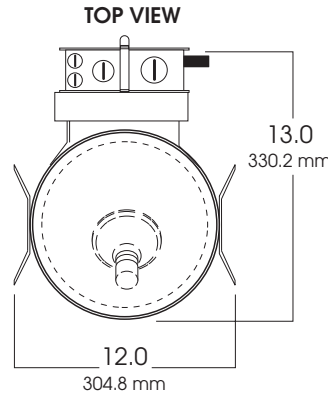
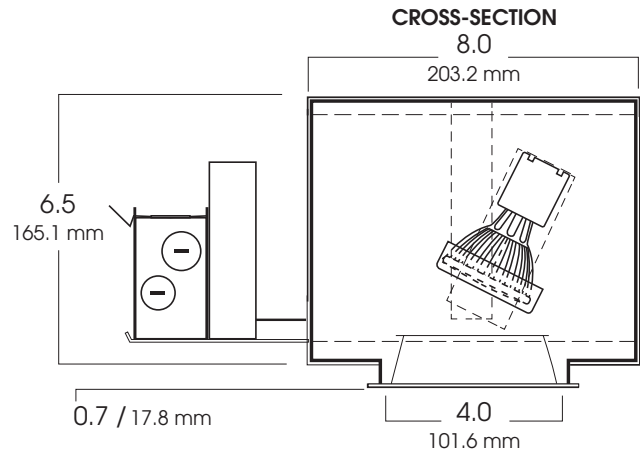
Max Ceiling Thickness: 1.5 (38.1 mm)
Ceiling Cutout: 5.0² (127.0 mm)²
Fixture Weight: 5.2 lbs



CONE OF LIGHT



A4SQMH39w - Efficiency: 96.1%
Spacing: 0.18



FIXTURE LAMPING

CMH16 - 20W, 39W
PAR20 - 20W, 39W

SERIES	WATTS	BALLAST	LAMP	OPTIONS	TRIM / FINISH	TRIM OPTIONS
SGA4SQMH- Spectrum Gold 4" Vertical Adjustable Square	20 39	EX -Electronic, multi-volt 120v or 277v	CMH16¹ PAR20²	CB24 -C-Channel bars 1-470 CCEA -Chicago Ceiling Plenum CCEA 1-480 CR -Corrosion Resistant 1-460 FS -Fuse holder and fuse PR -Plaster Ring 1-430 TBC -T-bar clips 1-475 TR -Top Relamping Option	AR0204-SG -Semi-Diffuse Low Iridescent (standard) GM -Corrugated Soft Glow GO -Gold Alzak MB -Matte Black MW -Matte White PW -Pewter Alzak UM -Umber Alzak WE -Wheat Alzak BF -Black Flange WF -White Flange CC -Custom Color	GL -Clear Glass lens PG -Prismatic (T73) lens SO -Micro Prism Solite™ lens FG -Frosted Glass Lens GS -Gasket WL -Wet Location
SGA4SQMH	20	EX	CMH16	CB24	AR0204 SG	FG

Dimensions shown are nominal. Spectrum Lighting is continually improving products and reserves the right to make changes that will not alter performance or appearance with or without written notice.



PROJECT:	TYPE:
CAT. NO.:	

