



INFINIUM™ LED SERIES LED ACCENT LIGHTING 20 / 30 WATTS

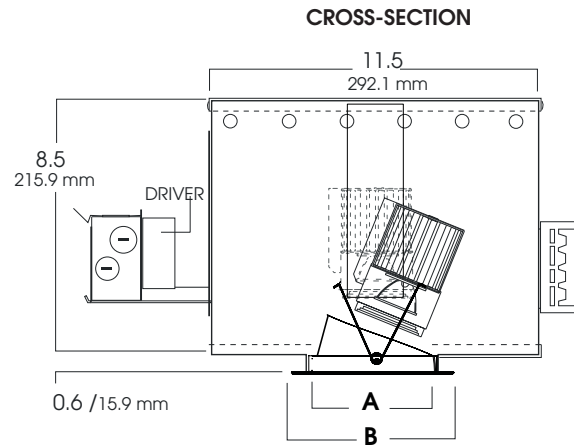
A-LED
SPECTRUM
INFINIUM™

FEATURES & SPECIFICATIONS:

- Square adjustable 20/30 watt LED accent light series.
- LED optics rotate 360° and tilt 45°
- All LED modules and drivers are replacable and up-gradeable.
- 50,000 hours rated LED system life.
- Trim supports a variety of lens /accessory options.
- Intended for Non-IC new construction.
- Frame constructed of 20 galvanized steel.
- Supplied with 27" long, galvanized steel bar hangers.
- Dimming available. (See page 1-444)
- EM available. (See page 1-446)
- Manufactured and built to UL standard No 1598.

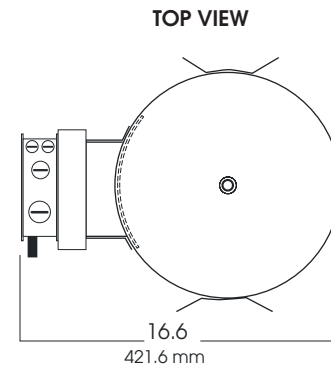
Max Ceiling Thickness: 1.5 (38.1 mm)
Ceiling Cutout: 4.6x4.6 / 6.7x6.7
Fixture Weight: 5 lbs. / 7 lbs.

KELVIN°	WATTAGE	LUMENS
27K°	30W	1280
31K°	30W	1400
35K°	30W	1520
41K°	30W	1650
51K°	30W	1900



SERIES	A	B
SGA4	4.0	5.5
SGA6	6.0	7.5

For 2700-3100K
CRI 85
For 3100-3500K
CRI 80
For 4100-5100K
CRI 75



SERIES	LED	KELVIN	BEAM	VOLTAGE	OPTIONS	TRIM / FINISH	TRIM OPTIONS
SGA4SQLED- 4" LED Adjustable Square Downlight	20w	27K -2700° K	ND (12°)	E1 -Electronic,120V E2 -Electronic,277V	BH6 -Expandable Bar Hangers, 6" - 21"	AR0204LED- (4" Square Aperture)	SO -Micro Prism Solite™ lens (standard)
	30w	31K -3100° K	MD (22°)	DR1 (STR) -Strato Dimming 120v (3%) DR2 (STR) -Strato Dimming 277v (3%)	BH12 -Expandable Bar Hangers, 12" - 24"	AR0206LED- (6" Square Aperture)	PG -Prismatic Glass GL -Clear Glass FG -Frosted Glass GS -Gasket
		35K -3500° K					
41K -4100° K	51K -5100° K						
SGA6SQLED- 6" LED Adjustable Square Downlight							
SGA4SQLED	30W	31K	MD	E1	EMLED	AR0204LED SG	GS

Dimensions shown are nominal. Spectrum Lighting is continually improving products and reserves the right to make changes that will not alter performance or appearance with or without written notice.



PROJECT:	TYPE:
CAT. NO.:	

994 Jefferson Street, Fall River, MA 02721 508.678.2303 FAX 508.678.2260

