



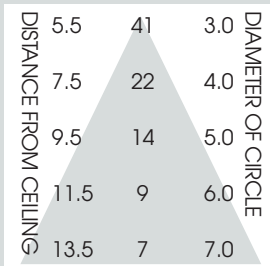
4" SQUARE ADJUSTABLE DOWNLIGHT ADJUSTABLE PAR16 / PAR20 LAMP 50 WATT MAX



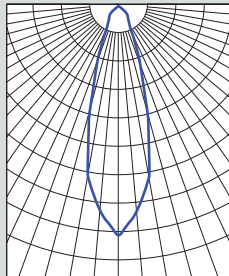
FEATURES & SPECIFICATIONS:

- EFEX² Series IN Square aperture. Series features shallow plenum and deep cutoff.
- Intended for Non-IC new construction. For IC applications, refer to page 1-400.
- Frame constructed of 20 ga. aluminum.
- Supplied with 27" long, heavy ga. galvanized steel bar hangers.
- **120 Volt** is standard. Use option **T277** for 277v supply feed.
- UL Listed for Damp Locations.
- For options detail, see page numbers listed below.

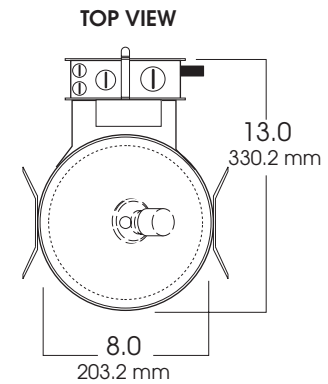
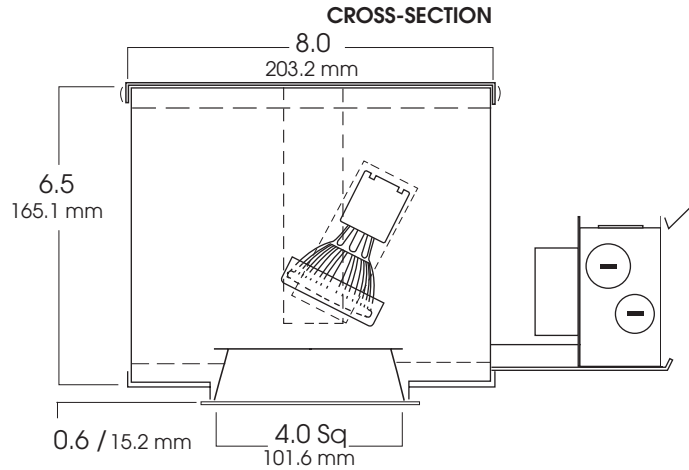
Max Ceiling Thickness: 1.0 (25.4 mm)
Ceiling Cutout: 5.0² (127.0 mm)²
Fixture Weight: 4.7 lbs



CONE OF LIGHT



A4SQIN50w-Efficiency: 90.6%
Spacing: 0.50



SERIES	OPTIONS	TRIM / FINISH	TRIM OPTIONS	FIXTURE LAMPING * *						
SGA4SQIN- Spectrum Gold 4" Vertical Adjustable Square	BH6 -Expandable Bar Hangers, 6" - 12" BH12 -Expandable Bar Hangers, 12" - 24" CB24 -C-Channel bars 1-470 CCEA -Chicago Ceiling Plenum CCEA 1-480 CR -Corrosion Resistant 1-460 FS -Fuse holder and fuse IC -Insulation Contact 1-400 PR -Plaster Ring 1-430 RM -Remodeler Housing 1-450 TBC -T-bar clips 1-475 TR -Top Relamping Option T277 -Step down Transformer 277v to 120v	AR0204-SG -Semi-Diffuse Low Iridescent (standard) GM -Corrugated Soft Glow GO -Gold Alzak MB -Matte Black MW -Matte White PW -Pewter Alzak UM -Umber Alzak WE -Wheat Alzak BF -Black Flange WF -White Flange CC -Custom Color	GL -Clear Glass lens GS -Gasket SO -Micro Prism Solite™ lens PG -Prismatic (T73) lens WL -Wet Location (See Page 1-470)	<table border="1"> <thead> <tr> <th>LAMP</th> <th>MAX. WATTAGE</th> </tr> </thead> <tbody> <tr> <td>PAR 16</td> <td>45w</td> </tr> <tr> <td>PAR 20</td> <td>50w</td> </tr> </tbody> </table> <p>*Medium Base</p>	LAMP	MAX. WATTAGE	PAR 16	45w	PAR 20	50w
	LAMP	MAX. WATTAGE								
PAR 16	45w									
PAR 20	50w									
SGA4SQIN CB24	AR0204 SG	GS								

* For available Louvers and Lenses see Page 1-410

Note: Polished flange is standard.

Dimensions shown are nominal. Spectrum Lighting is continually improving products and reserves the right to make changes that will not alter performance or appearance with or without written notice.



PROJECT:	TYPE:
CAT. NO.:	

