



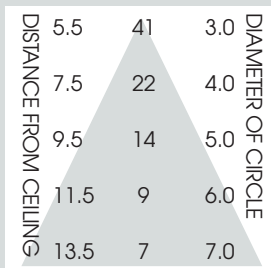
# 4" SQUARE RECESSED DOWNLIGHT ADJUSTABLE PAR 16 / 20 LAMP 50 WATT MAX



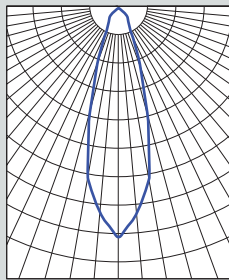
## FEATURES & SPECIFICATIONS:

- EFX<sup>2</sup> Series CF Square aperture. Series features shallow plenum and deep cutoff.
- Intended for Non-IC new construction. For IC applications, refer to page 1-400.
- Frame constructed of 20 ga. aluminum.
- Supplied with 27" long, heavy ga. galvanized steel bar hangers.
- **120 Volt** is standard. Use option **T277** for 277v supply feed.
- UL Listed for Damp Locations.
- For options detail, see page numbers listed below.

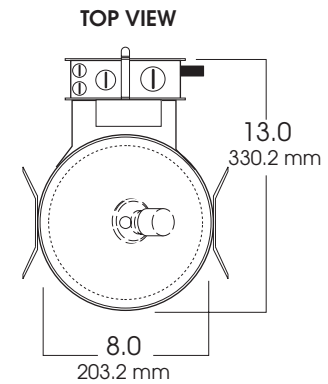
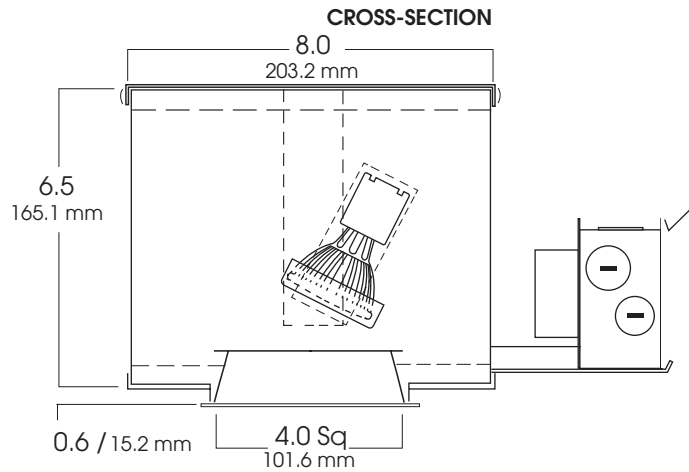
Max Ceiling Thickness: 1.0 (25.4 mm)  
Ceiling Cutout: 5.0<sup>2</sup> (127.0 mm)<sup>2</sup>  
Fixture Weight: 4.7 lbs



CONE OF LIGHT



A4SQIN50w-Efficiency: 90.6%  
Spacing: 0.50



SERIES	OPTIONS	TRIM / FINISH	TRIM OPTIONS	FIXTURE LAMPING *						
SGA4SQIN- Spectrum Gold 4" Vertical Adjustable Square	BH6 -Expandable Bar Hangers, 6" - 12"	AR0204-SG -Semi-Diffuse Low Iridescent (standard)  GM -Corrugated Soft Glow GO -Gold Alzak MB -Matte Black MW -Matte White PW -Pewter Alzak UM -Umber Alzak WE -Wheat Alzak BF -Black Flange WF -White Flange CC -Custom Color	GL -Clear Glass lens GS -Gasket IX -Micro Prism Industrex™ lens PG -Prismatic (T73) lens WL -Wet Location (See Page 1-470)	<table border="1"> <thead> <tr> <th>LAMP</th> <th>MAX. WATTAGE</th> </tr> </thead> <tbody> <tr> <td>PAR 16</td> <td>45w</td> </tr> <tr> <td>PAR 20</td> <td>50w</td> </tr> </tbody> </table> <p>*Medium Base</p>	LAMP	MAX. WATTAGE	PAR 16	45w	PAR 20	50w
	LAMP				MAX. WATTAGE					
PAR 16	45w									
PAR 20	50w									
CB24 -C-Channel bars 1-470 CCEA -Chicago Ceiling Plenum CCEA 1-480  CR -Corrosion Resistant 1-460 FS -Fuse holder and fuse IC -Insulation Contact 1-400 PR -Plaster Ring 1-430 RM -Remodeler Housing 1-450 TBC -T-bar clips 1-475 TR -Top Relamping Option T277 -Step down Transformer 277v to 120v	Note: Polished flange is standard.									
<b>SGA4SQIN</b>	<b>CB24</b>	<b>AR0204 SG</b>	<b>GS</b>							

Dimensions shown are nominal. Spectrum Lighting is continually improving products and reserves the right to make changes that will not alter performance or appearance with or without written notice.



PROJECT:	TYPE:
CAT. NO.:	

