



INFINIUM™ LED SERIES LED ADJUSTABLE ACCENT LIGHT 40 WATT MAX

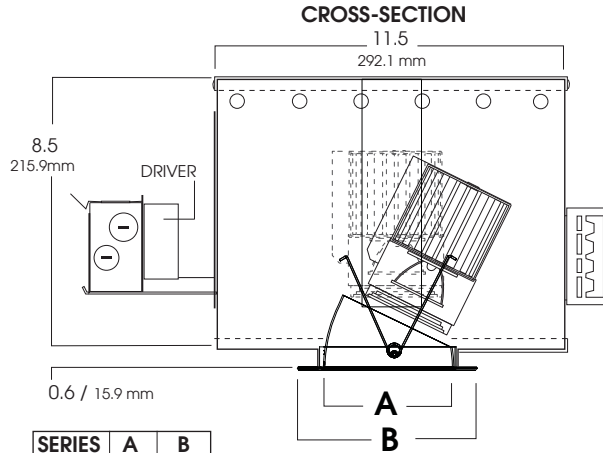
A-LED
SPECTRUM
INFINIUM™

FEATURES & SPECIFICATIONS:

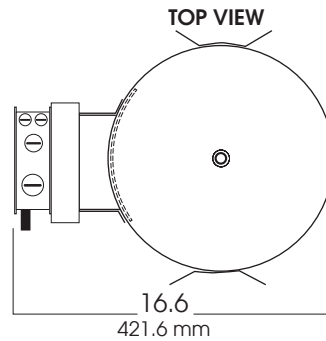
- Infinium LED adjustable accent light.
- Single high powered LED produces point source quality and luminaire focus.
- High flux density LED.
- Rotates 361°/locks. Tilt to 45°/locks.
- All LED modules are replaceable and up-gradable.
- 50,000 hours rated LED life means low maintenance.
- Trim supports a variety of lens /accessory options.
- Intended for Non-IC new construction.
- Frame constructed of 20 ga. aluminum.
- Supplied with 27" long, heavy ga. galvanized steel bar hangers.
- Electronic driver 120 Volt standard.
- Manufactured and tested to UL test no. 1598.

Max Ceiling Thickness: 1.5 (38.1 mm)
Ceiling Cutout: 4.6 /5.6/6.7
Fixture Weight: 6.0 lbs./6.5 lbs./7 lbs.

KELVIN°	WATTAGE	LUMENS
27K°	30W	1280
	40W	1640
32K°	30W	1400
	40W	1800
41K°	30W	1650
	40W	2100
55K°	30W	1900
	40W	2400



SERIES	A	B
SGA4	4.0	5.25
SGA5	5.0	6.25
SGA6	6.0	7.25



SERIES	LED	KELVIN	BEAM	DRIVER	OPTIONS	TRIM / FINISH
SGA4LED- 4" LED Adjustable Downlight	20W 30W 40W	27K -2700 Kelvin (2700K°) 32K -3200 Kelvin (3200K°) 41K -4100 Kelvin (4100K°) 55K -5500 Kelvin (5500K°)	12D 21D 38D	E1 -Electronic,120V E2 -Electronic,277V DR1 (STR) -Strato Dimming 120v (30w only) DR2 (STR) -Strato Dimming 277v (30w only) Consult Factory for Other Dimming Options	BH6 -Expandable Bar Hangers, 6" - 21" BH12 -Expandable Bar Hangers, 12" - 24" CB24 -C-Channel bars 1-470 FS -Fusing CCEA -Chicago Ceiling Plenum CCEA 1-480 CR -Corrosion Resistant 1-460 PR -Plaster Ring 1-430 TBC -T-bar clips 1-475 EMLED -Emergency Back-up Battery 1-423 (90 min/800 lumens) Consult Factory for Other EM Options	AR4500- SG -Semi-Diffuse (4" Aperture) Low Iridescent (standard) MW -White Finish AR5500- CL -Clear Bright Alzak (5" Aperture) GO -Gold Alzak HZ -Matte Low Iridescent AR6500- PW -Pewter Alzak (6" Aperture) UM -Umber Alzak WE -Wheat Alzak BL -Black Finish PF -Polished Flange
SGA4LED	20W	3K	21D	E1		AR4500 SG

Dimensions shown are nominal. Spectrum Lighting is continually improving products and reserves the right to make changes that will not alter performance or appearance with or without written notice.



PROJECT:	TYPE:
CAT.	

