



INFINIUM™ LED SERIES LED ACCENT LIGHTING 20 / 30 WATTS

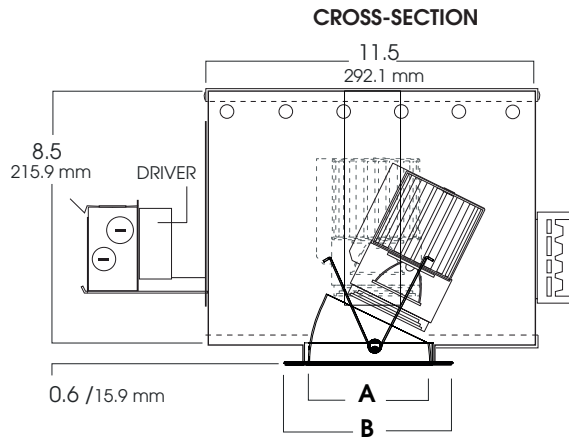
A-LED
SPECTRUM
INFINIUM™

FEATURES & SPECIFICATIONS:

- Round adjustable 20/30 watt LED accent light series.
- LED optics rotate 360° and tilt 45°
- All LED modules and drivers are replacable and up-gradeable.
- 50,000 hours rated LED system life.
- Trim supports a variety of lens /accessory options.
- Intended for Non-IC new construction.
- Frame constructed of 20 galvanized steel.
- Supplied with 27" long, galvanized steel bar hangers.
- Dimming available. (See page 1-444)
- EM available. (See page 1-446)
- Manufactured and built to UL standard No 1598.

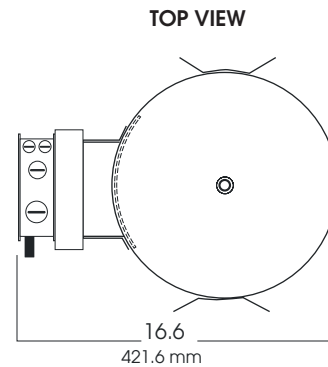
Max Ceiling Thickness: 1.5 (38.1 mm)
Ceiling Cutout: 4.6 / 5.6 / 6.7
Fixture Weight: 6 lbs. / 6.5 lbs. / 7lbs.

| KELVIN° | WATTAGE | LUMENS |
|---------|---------|--------|
| 27K° | 30W | 1280 |
| 31K° | 30W | 1400 |
| 35K° | 30W | 1520 |
| 41K° | 30W | 1650 |
| 51K° | 30W | 1900 |



| SERIES | A | B |
|--------|-----|------|
| SGA4 | 4.0 | 5.25 |
| SGA5 | 5.0 | 6.25 |
| SGA6 | 6.0 | 7.25 |

For 2700-3100K
CRI 85
For 3100-3500K
CRI 80
For 4100-5100K
CRI 75



| SERIES | LED | KELVIN | BEAM | VOLTAGE | OPTIONS | TRIM / FINISH | TRIM OPTIONS |
|--|------------|--------------|---------------------------------------|---|--|-----------------------|---|
| SGA4LED- 4" LED Adjustable Downlight | 20w | 27K -2700° K | ND (12°) | E1 -Electronic,120V | BH6 -Expandable Bar Hangers, 6" - 21" | AR4500- (4" Aperture) | SO -Micro Prism Solite™ lens (standard) |
| | 30w | 31K -3100° K | MD (22°) | E2 -Electronic,277V | BH12 -Expandable Bar Hangers, 12" - 24" | AR5500- (5" Aperture) | PG -Prismatic Glass |
| | | 41K -4100° K | | | | | |
| 51K -5100° K | WD (38°) | | | | | WF -Frosted Glass | |
| SGA5LED- 5" LED Adjustable Downlight | 30w | 35K -3500° K | DR1(STR) -Strato Dimming 120v (3%) | DR2(STR) -Strato Dimming 277v (3%) | CB24 -C-Channel bars (1-470) | AR6500- (6" Aperture) | GL -Clear Glass |
| | | | | | | | |
| SGA6LED- 6" LED Adjustable Downlight | 30w | 41K -4100° K | Dimming: See Page 1-444 | DL2(L3D) -Lutron Hi-Lume™ 277v (dimming level 1%) | CCEA Holder -Chicago Ceiling Plenum CCEA | AR6500- (6" Aperture) | GS -Gasket |
| | | | | | | | |
| SGA4LED | 30W | 31K | MD | E1 | EMLED -T-bar clips (1-475) -Emergency Back-up Battery (1-423) | AR4500 SG | GS |
| | | | | | | | |
| | | | | | GR (90 min/800 lumens) | | |
| | | | | | SCA -Goof Ring (1-470) -Slope Ceiling Adaptor (1-435) | | |
| | | | | | TBC -Plaster Ring (1-430) | | |
| | | | | | EMLED -T-bar clips (1-475) -Emergency Back-up Battery (1-423) | | |
| | | | | | GR (90 min/800 lumens) | | |
| | | | | | SCA -Goof Ring (1-470) -Slope Ceiling Adaptor (1-435) | | |
| | | | | | TBC -Plaster Ring (1-430) | | |
| | | | | | EMLED -T-bar clips (1-475) -Emergency Back-up Battery (1-423) | | |
| | | | | | GR (90 min/800 lumens) | | |
| | | | | | SCA -Goof Ring (1-470) -Slope Ceiling Adaptor (1-435) | | |
| | | | | | TBC -Plaster Ring (1-430) | | |
| | | | | | EMLED -T-bar clips (1-475) -Emergency Back-up Battery (1-423) | | |
| | | | | | GR (90 min/800 lumens) | | |
| | | | | | SCA -Goof Ring (1-470) -Slope Ceiling Adaptor (1-435) | | |
| | | | | | TBC -Plaster Ring (1-430) | | |
| | | | | | EMLED -T-bar clips (1-475) -Emergency Back-up Battery (1-423) | | |
| | | | | | GR (90 min/800 lumens) | | |
| | | | | | SCA -Goof Ring (1-470) -Slope Ceiling Adaptor (1-435) | | |
| | | | | | TBC -Plaster Ring (1-430) | | |
| | | | | | EMLED -T-bar clips (1-475) -Emergency Back-up Battery (1-423) | | |
| | | | | | GR (90 min/800 lumens) | | |
| | | | | | SCA -Goof Ring (1-470) -Slope Ceiling Adaptor (1-435) | | |
| | | | | | TBC -Plaster Ring (1-430) | | |
| | | | | | EMLED -T-bar clips (1-475) -Emergency Back-up Battery (1-423) | | |
| | | | | | GR (90 min/800 lumens) | | |
| | | | | | SCA -Goof Ring (1-470) -Slope Ceiling Adaptor (1-435) | | |
| | | | | | TBC -Plaster Ring (1-430) | | |
| | | | | | EMLED -T-bar clips (1-475) -Emergency Back-up Battery (1-423) | | |
| | | | | | GR (90 min/800 lumens) | | |
| | | | | | SCA -Goof Ring (1-470) -Slope Ceiling Adaptor (1-435) | | |
| | | | | | TBC -Plaster Ring (1-430) | | |
| | | | | | EMLED -T-bar clips (1-475) -Emergency Back-up Battery (1-423) | | |
| | | | | | GR (90 min/800 lumens) | | |
| | | | | | SCA -Goof Ring (1-470) -Slope Ceiling Adaptor (1-435) | | |
| | | | | | TBC -Plaster Ring (1-430) | | |
| | | | | | EMLED -T-bar clips (1-475) -Emergency Back-up Battery (1-423) | | |
| | | | | | GR (90 min/800 lumens) | | |
| | | | | | SCA -Goof Ring (1-470) -Slope Ceiling Adaptor (1-435) | | |
| | | | | | TBC -Plaster Ring (1-430) | | |
| | | | | | EMLED -T-bar clips (1-475) -Emergency Back-up Battery (1-423) | | |
| | | | | | GR (90 min/800 lumens) | | |
| | | | | | SCA -Goof Ring (1-470) -Slope Ceiling Adaptor (1-435) | | |
| | | | | | TBC -Plaster Ring (1-430) | | |
| | | | | | EMLED -T-bar clips (1-475) -Emergency Back-up Battery (1-423) | | |
| | | | | | GR (90 min/800 lumens) | | |
| | | | | | SCA -Goof Ring (1-470) -Slope Ceiling Adaptor (1-435) | | |
| | | | | | TBC -Plaster Ring (1-430) | | |
| | | | | | EMLED -T-bar clips (1-475) -Emergency Back-up Battery (1-423) | | |
| | | | | | GR (90 min/800 lumens) | | |
| | | | | | SCA -Goof Ring (1-470) -Slope Ceiling Adaptor (1-435) | | |
| | | | | | TBC -Plaster Ring (1-430) | | |
| | | | | | EMLED -T-bar clips (1-475) -Emergency Back-up Battery (1-423) | | |
| | | | | | GR (90 min/800 lumens) | | |
| | | | | | SCA -Goof Ring (1-470) -Slope Ceiling Adaptor (1-435) | | |
| | | | | | TBC -Plaster Ring (1-430) | | |
| | | | | | EMLED -T-bar clips (1-475) -Emergency Back-up Battery (1-423) | | |
| | | | | | GR (90 min/800 lumens) | | |
| | | | | | SCA -Goof Ring (1-470) -Slope Ceiling Adaptor (1-435) | | |
| | | | | | TBC -Plaster Ring (1-430) | | |
| | | | | | EMLED -T-bar clips (1-475) -Emergency Back-up Battery (1-423) | | |
| | | | | | GR (90 min/800 lumens) | | |
| | | | | | SCA -Goof Ring (1-470) -Slope Ceiling Adaptor (1-435) | | |
| | | | | | TBC -Plaster Ring (1-430) | | |
| | | | | | EMLED -T-bar clips (1-475) -Emergency Back-up Battery (1-423) | | |
| | | | | | GR (90 min/800 lumens) | | |
| | | | | | SCA -Goof Ring (1-470) -Slope Ceiling Adaptor (1-435) | | |
| | | | | | TBC -Plaster Ring (1-430) | | |
| | | | | | EMLED -T-bar clips (1-475) -Emergency Back-up Battery (1-423) | | |
| | | | | | GR (90 min/800 lumens) | | |
| | | | | | SCA -Goof Ring (1-470) -Slope Ceiling Adaptor (1-435) | | |
| | | | | | TBC -Plaster Ring (1-430) | | |
| | | | | | EMLED -T-bar clips (1-475) -Emergency Back-up Battery (1-423) | | |
| | | | | | GR (90 min/800 lumens) | | |
| | | | | | SCA -Goof Ring (1-470) -Slope Ceiling Adaptor (1-435) | | |
| | | | | | TBC -Plaster Ring (1-430) | | |
| | | | | | EMLED -T-bar clips (1-475) -Emergency Back-up Battery (1-423) | | |
| | | | | | GR (90 min/800 lumens) | | |
| | | | | | SCA -Goof Ring (1-470) -Slope Ceiling Adaptor (1-435) | | |
| | | | | | TBC -Plaster Ring (1-430) | | |
| | | | | | EMLED -T-bar clips (1-475) -Emergency Back-up Battery (1-423) | | |
| | | | | | GR (90 min/800 lumens) | | |
| | | | | | SCA -Goof Ring (1-470) -Slope Ceiling Adaptor (1-435) | | |
| | | | | | TBC -Plaster Ring (1-430) | | |
| | | | | | EMLED -T-bar clips (1-475) -Emergency Back-up Battery (1-423) | | |
| | | | | | GR (90 min/800 lumens) | | |
| | | | | | SCA -Goof Ring (1-470) -Slope Ceiling Adaptor (1-435) | | |
| | | | | | TBC -Plaster Ring (1-430) | | |
| | | | | | EMLED -T-bar clips (1-475) -Emergency Back-up Battery (1-423) | | |
| | | | | | GR (90 min/800 lumens) | | |
| | | | | | SCA -Goof Ring (1-470) -Slope Ceiling Adaptor (1-435) | | |
| | | | | | TBC -Plaster Ring (1-430) | | |
| | | | | | EMLED -T-bar clips (1-475) -Emergency Back-up Battery (1-423) | | |
| | | | | | GR (90 min/800 lumens) | | |
| | | | | | SCA -Goof Ring (1-470) -Slope Ceiling Adaptor (1-435) | | |
| | | | | | TBC -Plaster Ring (1-430) | | |
| | | | | | EMLED -T-bar clips (1-475) -Emergency Back-up Battery (1-423) | | |
| | | | | | GR (90 min/800 lumens) | | |
| | | | | | SCA -Goof Ring (1-470) -Slope Ceiling Adaptor (1-435) | | |
| | | | | | TBC -Plaster Ring (1-430) | | |
| | | | | | EMLED -T-bar clips (1-475) -Emergency Back-up Battery (1-423) | | |
| | | | | | GR (90 min/800 lumens) | | |
| | | | | | SCA -Goof Ring (1-470) -Slope Ceiling Adaptor (1-435) | | |
| | | | | | TBC -Plaster Ring (1-430) | | |
| | | | | | EMLED -T-bar clips (1-475) -Emergency Back-up Battery (1-423) | | |
| | | | | | GR (90 min/800 lumens) | | |
| | | | | | SCA -Goof Ring (1-470) -Slope Ceiling Adaptor (1-435) | | |
| | | | | | TBC -Plaster Ring (1-430) | | |
| | | | | | EMLED -T-bar clips (1-475) -Emergency Back-up Battery (1-423) | | |
| | | | | | GR (90 min/800 lumens) | | |
| | | | | | SCA -Goof Ring (1-470) -Slope Ceiling Adaptor (1-435) | | |
| | | | | | TBC -Plaster Ring (1-430) | | |
| | | | | | EMLED -T-bar clips (1-475) -Emergency Back-up Battery (1-423) | | |
| | | | | | GR (90 min/800 lumens) | | |
| | | | | | SCA -Goof Ring (1-470) -Slope Ceiling Adaptor (1-435) | | |
| | | | | | TBC -Plaster Ring (1-430) | | |
| | | | | | EMLED -T-bar clips (1-475) -Emergency Back-up Battery (1-423) | | |
| | | | | | GR (90 min/800 lumens) | | |
| | | | | | SCA -Goof Ring (1-470) -Slope Ceiling Adaptor (1-435) | | |
| | | | | | TBC -Plaster Ring (1-430) | | |
| | | | | | EMLED -T-bar clips (1-475) -Emergency Back-up Battery (1-423) | | |
| | | | | | GR (90 min/800 lumens) | | |
| | | | | | SCA -Goof Ring (1-470) -Slope Ceiling Adaptor (1-435) | | |
| | | | | | TBC -Plaster Ring (1-430) | | |
| | | | | | EMLED -T-bar clips (1-475) -Emergency Back-up Battery (1-423) | | |
| | | | | | GR (90 min/800 lumens) | | |
| | | | | | SCA -Goof Ring (1-470) -Slope Ceiling Adaptor (1-435) | | |
| | | | | | TBC -Plaster Ring (1-430) | | |
| | | | | | EMLED -T-bar clips (1-475) -Emergency Back-up Battery (1-423) | | |
| | | | | | GR (90 min/800 lumens) | | |
| | | | | | SCA -Goof Ring (1-470) -Slope Ceiling Adaptor (1-435) | | |
| | | | | | TBC -Plaster Ring (1-430) | | |
| | | | | | EMLED -T-bar clips (1-475) -Emergency Back-up Battery (1-423) | | |
| | | | | | GR (90 min/800 lumens) | | |
| | | | | | SCA -Goof Ring (1-470) -Slope Ceiling Adaptor (1-435) | | |
| | | | | | TBC -Plaster Ring (1-430) | | |
| | | | | | EMLED -T-bar clips (1-475) -Emergency Back-up Battery (1-423) | | |
| | | | | | GR (90 min/800 lumens) | | |
| | | | | | SCA -Goof Ring (1-470) -Slope Ceiling Adaptor (1-435) | | |
| | | | | | TBC -Plaster Ring (1-430) | | |
| | | | | | EMLED -T-bar clips (1-475) -Emergency Back-up Battery (1-423) | | |
| | | | | | GR (90 min/800 lumens) | | |
| | | | | | SCA -Goof Ring (1-470) -Slope Ceiling Adaptor (1-435) | | |
| | | | | | TBC -Plaster Ring (1-430) | | |
| | | | | | EMLED -T-bar clips (1-475) -Emergency Back-up Battery (1-423) | | |
| | | | | | | | |