



# 4" x 8" METAL HALIDE SERIES ADJUSTABLE DOWNLIGHT

2xCMH16 / 39 WATT MAX

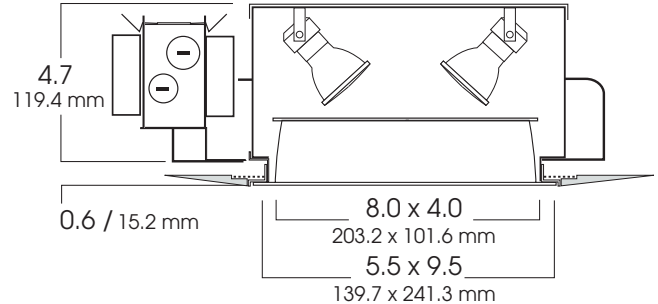


## FEATURES & SPECIFICATIONS:

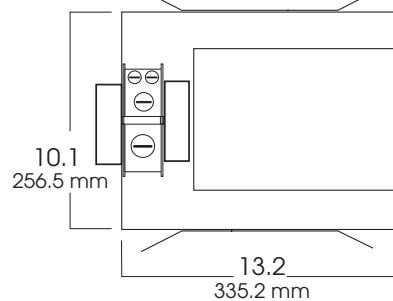
- EFEX<sup>2</sup> Series Metal Halide Rectangular Aperture. Series fetures a shallow plenum housing.
- Intended for Non-IC new construction.
- Optional PZ48 fitter for flush to ceiling instilation.
- Frame constructed of 20 ga. galvanized steel.
- Supplied with 27" long, heavy ga. galvanized steel bar hangers.
- Ballasts shall be integrally mounted, electronic sound rated "A", multi-volt 120v or 277v.
- For options detail, see page numbers listed below.

Max Ceiling Thickness: 1.0 (25.4 mm)  
 Ceiling Cutout: 5.0 x 9.0  
 Fixture Weight: 7.9 lbs

CROSS-SECTION

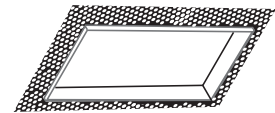


TOP VIEW



## FIXTURE LAMPING

**CMH16 - 2x20W**  
**CMH16 - 2x39W**



PZ FITTER WITH  
 PLASTER MESH  
 FLUSH FLANGE  
 INSTALLATION  
 OPTION

SERIES	WATTS	BALLAST	# / LAMP	OPTIONS	TRIM / FINISH	TRIM OPTIONS
<b>SGA48SQ-</b> Spectrum Gold 4"x8" Horizontal Adjustable Downlight	<b>MH20</b> <b>MH39</b>	<b>EX</b> -Electronic, multi- volt 120v or 277v	<b>2xCMH16<sup>1</sup></b>	<b>CB24</b> -C-Channel bars 1-470 <b>CCEA</b> -Chicago Ceiling Plenum CCEA 1-480 <b>CR</b> -Corrosion Resistant 1-460 <b>FS</b> -Fuse holder and fuse <b>ADJL</b> -Adjustable Lamp Bracket <b>2CIR</b> -2 Circuit Wiring <b>PZ48</b> -Flush Plaster Mesh Fitter 1-435	<b>AR0208-SG</b> -Semi-Diffuse Low Iridescent (standard) <b>MB</b> -Matte Black <b>MW</b> -Matte White <b>PW</b> -Pewter Alzak <b>WE</b> -Wheat Alzak <b>BF</b> -Black Flange <b>WF</b> -White Flange <b>CC</b> -Custom Color <b>NF</b> -¼" Flush Flange (for use with PZ48)	<b>PG</b> -Prismatic Lens (standard) <b>SO</b> -Solite Lens <b>GS</b> -Gasket <b>WL</b> -Wet Location
<b>SGA48SQ</b>	<b>MH20</b>	<b>EX</b>	<sup>1</sup> GX10 base <b>2XCMH16</b>	<b>PZ48</b>	Note: Textured white flange is standard. <b>AR0208 MW NF</b>	*For Available <b>Decorative</b> <b>Architectural Trims</b> , see page 1-490 <b>SO</b>

Dimensions shown are nominal. Spectrum Lighting is continually improving products and reserves the right to make changes that will not alter performance or appearance with or without written notice.



<b>PROJECT:</b>	<b>TYPE:</b>
<b>CAT. NO.:</b>	

