



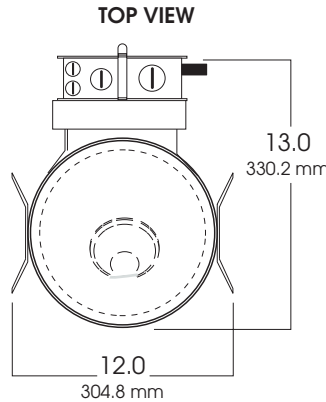
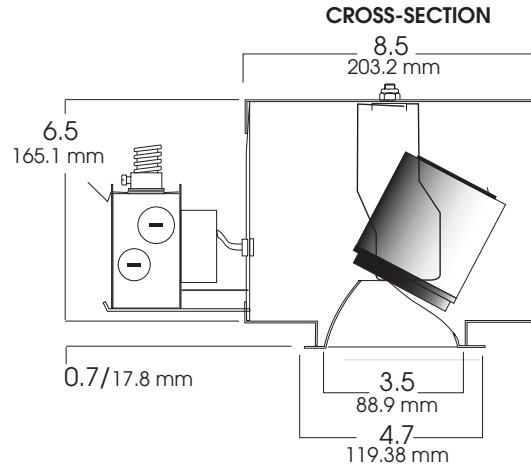
3.5" METAL HALIDE SERIES ADJUSTABLE T4 LAMP 39 WATT MAX

A3MH
SPECTRUM
GOLD SERIES™

FEATURES & SPECIFICATIONS:

- 3 1/2" Aperture Adjustable (T4 GU6.5) accent light.
- Fixture features 45° adjustment from vertical with a 359° axial rotation
- Intended for Non-IC new construction.
- Frame constructed of 20 ga. aluminum.
- Supplied with 27" long, heavy ga. galvanized steel bar hangers.
- Ballasts shall be integrally mounted, electronic sound rated "A", multi-volt 120v or 277v.
- Manufactured and built to UL standard No 1598
- For options detail, see page numbers listed below.

Max Ceiling Thickness: 1.0 (25.4 mm)
Ceiling Cutout: 3.9 Ø (99.0 mm Ø)
Fixture Weight: 7.0 lbs



FIXTURE LAMPING
T4 - GU 6.5 BASE

| SERIES | WATTS | BALLAST | LAMP | DISTRIBUTION | OPTIONS | TRIM / FINISH | TRIM OPTIONS |
|---|----------------|--|-----------------------|---|---|--|---|
| SGA3MH- Spectrum Gold 3.5" T4 Adjustable Accent | 15 20 39 | EX -Electronic, multi-volt 120v thru 277v | T4 (GU6.5 Base) | ND -Narrow 12° MD -Medium 22° WD -Wide 38° | CB24 -C-Channel bars 1-470 CR -Corrosion Resistant 1-460 FS -Fuse holder and fuse PR -Plaster Ring 1-430 TBC -T-bar clips 1-475 TR -Top Relamping Option ELB -Eco Black Matte Frame Finish | AR3500-SG -Semi-Diffuse Low Iridescent (standard) CL -Clear Bright Alzak GO -Gold Alzak HZ -Matte Low Iridescent PW -Pewter Alzak UM -Umber Alzak WE -Wheat Alzak BL -Black Finish WH -White Finish PF -Polished Flange | GL -Clear Glass lens PG -Prismatic (173) lens SO -Micro Prism Solite™ lens FG -Frosted Glass Lens GS -Gasket WL -Wet Location |
| SGA3MH | 20 | EX | T4 | ND | CB24 | AR3500 SG | GL |

Note: White flange is standard.

*For Available
**Decorative
Architectural Trims,**
see page 1-490

Dimensions shown are nominal. Spectrum Lighting is continually improving products and reserves the right to make changes that will not alter performance or appearance with or without written notice.



PROJECT: _____ TYPE: _____
CAT. NO.: _____

