



3.5" METAL HALIDE SERIES ADJUSTABLE PAR 20 LAMP 39 WATT MAX

A3MHX
SPECTRUM
GOLD SERIES™

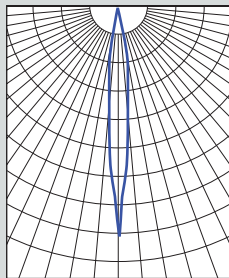
FEATURES & SPECIFICATIONS:

- 3 1/2" aperture adjustable Metal Halide PAR20 accent light.
- Features a 35° adjustment from vertical with a 359° axial rotation.
- Intended for Non-IC new construction.
- Frame constructed of 20 ga. aluminum.
- Supplied with 27" long, heavy ga. galvanized steel bar hangers.
- Ballasts shall be integrally mounted, electronic sound rated "A", multi-volt 120v or 277v.
- Manufactured and built to UL standard No 1598.

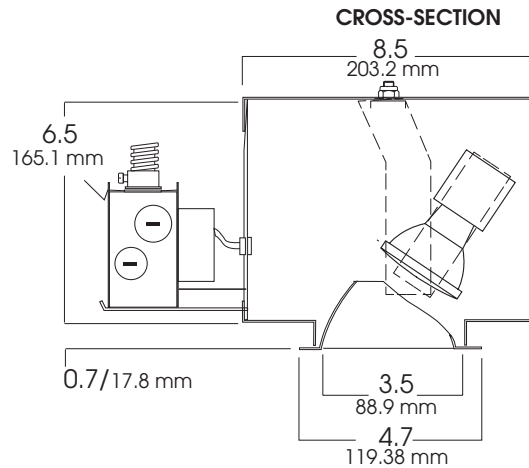
Max Ceiling Thickness: 1.5 (38.1 mm)
Ceiling Cutout: 3.9 (99.0 mm Ø)
Fixture Weight: 5.2 lbs

DISTANCE FROM CEILING	DIAMETER OF CIRCLE
5.5	676
7.5	364
9.5	227
11.5	155
13.5	112

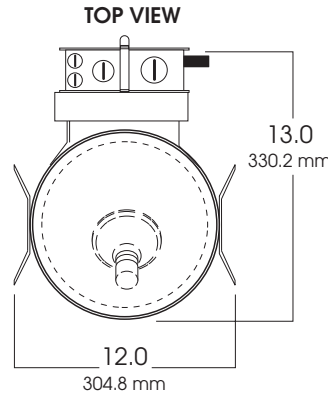
CONE OF LIGHT



A3MHX39w - Efficiency: 99.3%
Spacing: 0.18



FIXTURE LAMPING
PAR20 - 20W, 39W



SERIES	WATTS	BALLAST	LAMP	OPTIONS	TRIM / FINISH	TRIM OPTIONS
SGA3MHX- Spectrum Gold 3.5" Adjustable Accent	20 39	E1 -Electronic, 120v E2 -Electronic, 277v	PAR20	CB24 -C-Channel bars 1-470 CCEA -Chicago Ceiling Plenum CCEA 1-480 CR -Corrosion Resistant 1-460 FS -Fuse holder and fuse PR -Plaster Ring 1-430 TBC -T-bar clips 1-475 TR -Top Relamping Option ECO -Eco Black Matte Frame Finish	AR3500-SG -Semi-Diffuse Low Iridescent (standard) CL -Clear Bright Alzak GO -Gold Alzak HZ -Matte Low Iridescent PW -Pewter Alzak UM -Umber Alzak WE -Wheat Alzak BL -Black Finish WH -White Finish PF -Polished Flange	GL -Clear Glass lens PG -Prismatic (173) lens SO -Micro Prism Solite™ lens FG -Frosted Glass Lens GS -Gasket WL -Wet Location
SGA3MHX	20	E1	PAR20	CB24	AR3500 SG	GS

Medium base

* For available Louvers and Lenses see Page 1-410

Note: White flange is standard.

*For Available
Decorative
Architectural Trims,
see page 1-490

Dimensions shown are nominal. Spectrum Lighting is continually improving products and reserves the right to make changes that will not alter performance or appearance with or without written notice.



PROJECT:	TYPE:
CAT. NO.:	

