



9" VERTICAL FLUORESCENT LENSED SPLAY

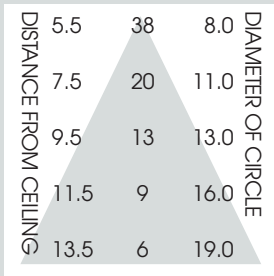
1 x 42 WATT MAX



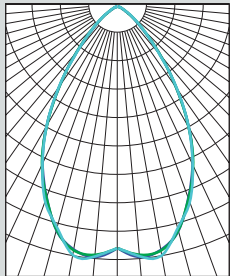
FEATURES & SPECIFICATIONS:

- SG9V features a wide variety of lenses and splays.
- Intended for Non-IC new construction
- Frame constructed of 20 ga. galvanized steel.
- Supplied with a 27" long, heavy ga. galvanized steel bar hangers.
- Ballasts shall be integrally mounted, electronic, sound rated "A", Class P, multi-volt 120v - 277v.
- UL Listed for Damp Location.
- For options detail, see page number listed below.

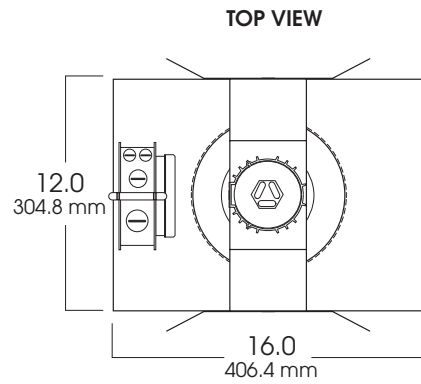
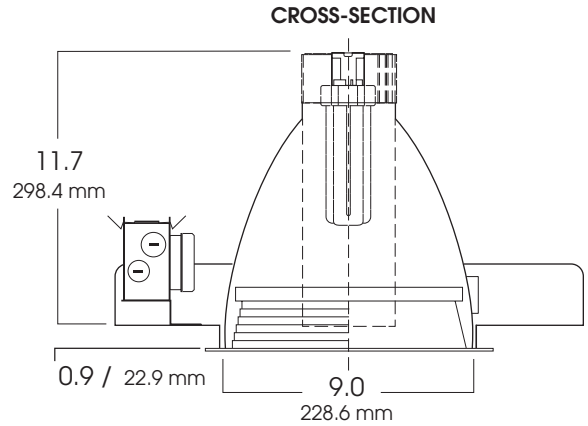
Max Ceiling Thickness: 1.5 (38.1 mm)
 Ceiling Cutout: 9.4 Ø (238.8 mm Ø)
 Fixture Weight: 6.5 lbs



CONE OF LIGHT



9V142w- Efficiency: 43.6%
 Spacing: 1.00



SERIES	WATTS	BALLAST	OPTIONS	SPLAY	TRIM OPTIONS
SG9V- Spectrum Gold 9" Vertical	118 126 132 142	EX -Electronic, multi-volt 120v thru 277v DA1 -Advance Mark 10™ powerline dimming, 120v DA2 -Advance Mark 10™ powerline dimming, 277v DAM7 -Advance Mark 7™ 0-10v dimming, 120v thru 277v DL1 -Lutron Compact SE™ 120v (min. dimming level 5%) ¹ DL2 -Lutron Compact SE™ 277v (min. dimming level 5%) ¹	CB24 -C-Channel bars 1-470 CCEA -Chicago Ceiling Plenum CCEA 1-480 CR -Corrosion Resistant 1-460 EM -Emergency battery pack 1-420 FS -Fuse holder and fuse PR -Plaster Ring 1-430 RM -Remodeler Housing 1-450 TBC -T-bar clips 1-475 TP -Tamper Resistant TST -Twist-Lok Socket 1-425	AR9125-WS -White w/White flange (standard) CS -Clear Alzak w/white flange CSPF -Clear Alzak w/polished flange SGS -Semi-Diffuse Low-Iridescent w/white flange SGSPF -Semi-Diffuse Low- Iridescent w/polished flange RB -Regressed black baffled w/white flange RBBF -Regressed black baffled w/black flange RW -Regressed white baffled w/white flange CC -Custom Color	PG -Prismatic (T73) lens (standard) FG -Frosted Glass FL -Fresnel Lens GL -Clear Glass lens GS -Gasket PC -Clear Polycarbonate PP -Prismatic Polycarbonate WL -Wet Location 1-470 XB¹ -Cross Blade Louver
SG9V	132	EX	EM/	AR9125 WS	PG

¹ For **WS, CS, CSPF, SGS**
and **SGSPF** trims only

Dimensions shown are nominal. Spectrum Lighting is continually improving products and reserves the right to make changes that will not alter performance or appearance with or without written notice.



PROJECT:	TYPE:
CAT. NO.:	

