



9" HORIZONTAL FLUORESCENT LENSED SPLAY

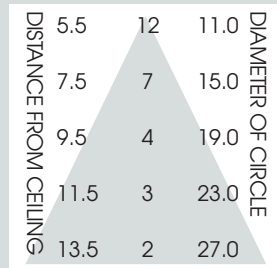
2 x 42 WATTS MAX



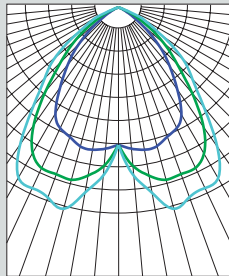
FEATURES & SPECIFICATIONS:

- SG9H is a shallow 9" aperture that offers a wide variety of lenses and splays.
- Intended for Non-IC new construction.
- Frame constructed of 20 ga. galvanized steel.
- Supplied with 27" long, heavy ga. galvanized steel bar hangers.
- Ballasts shall be integrally mounted, electronic sound rated "A", Class P, multi-volt 120v - 277v.
- UL Listed for Damp Locations.
- For options detail, see page numbers listed below.

Max Ceiling Thickness: 1.5 (38.1 mm)
 Ceiling Cutout: 9.4 Ø (238.8 mm Ø)
 Fixture Weight: 6.2 lbs

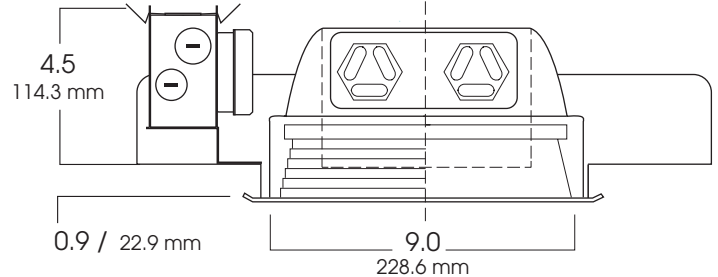


CONE OF LIGHT

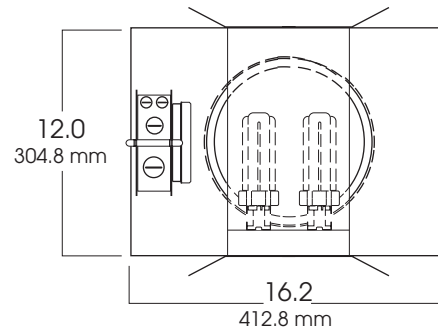


9H213w - Efficiency: 53.1%
 Spacing: 1.27

CROSS-SECTION



TOP VIEW



SERIES	WATTS	BALLAST	OPTIONS	REFLECTOR	SPLAY	TRIM OPTIONS
SG9H- Spectrum Gold 9" Horizontal	(1 or 2) 13 (1 or 2) 18 (1 or 2) 26 (1 or 2) 32 (1 or 2) 42	EX -Electronic, multi-volt 120v thru 277v DA1 -Advance Mark 10™ powerline dimming, 120v ¹ DA2 -Advance Mark 10™ powerline dimming, 277v ¹ DAM7 -Advance Mark 7™ 0-10v dimming, 120v thru 277v DL1 -Lutron Compact SE™ 120v (min. dimming level 5%) ¹ DL2 -Lutron Compact SE™ 277v (min. dimming level 5%) ¹ ¹ Not available for 13w Quad or TRT lamp	CB24 -C-Channel bars 1-470 CCEA -Chicago Ceiling Plenum CCEA 1-480 CR -Corrosion Resistant 1-460 EM -Emergency battery pack 1-420 FS -Fuse holder and fuse PR -Plaster Ring 1-430 RM -Remodeler Housing 1-450 TBC -T-bar clips 1-475 TP -Tamper Resistant TST -Twist-Lok Socket 1-425	AR9420-WS -White w/White flange (standard) CS -Clear Alzak w/white flange CSPF -Clear Alzak w/polished flange SGS -Semi-Diffuse Low-Iridescent w/white flange SGSPF -Semi-Diffuse Low-Iridescent w/polished flange RB -Regressed black baffled w/white flange RBBF -Regressed black baffled w/black flange RW -Regressed white baffled w/white flange FW -Flush Gloss White door (no regress) CC -Custom Color	PG -Prismatic (T73) lens (standard) FG -Frosted Glass FL -Fresnel Lens GL -Clear Glass GS -Gasket PC -Clear Polycarbonate PP -Prismatic Polycarbonate WL -Wet Location 1-470 XB¹ -Cross Blade Louver ¹ For WS, CS, CSPF, SGS and SGSPF trims only	
SG9H	242	EX	EM/	AR9420	WS	PG

Dimensions shown are nominal. Spectrum Lighting is continually improving products and reserves the right to make changes that will not alter performance or appearance with or without written notice.



PROJECT:	TYPE:
CAT. NO.:	

