



9" HORIZONTAL FLUORESCENT OPEN REFLECTOR / BAFFLE

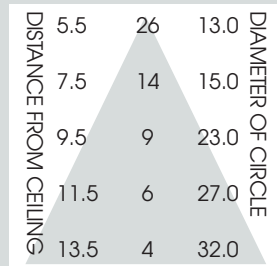
2 x 42 WATTS MAX



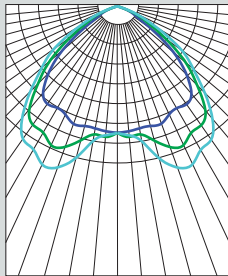
FEATURES & SPECIFICATIONS:

- SG9H is a shallow open reflector for very wide distribution.
- Intended for Non-IC new construction.
- Frame constructed of 20 ga. galvanized steel.
- Supplied with 27" long, heavy ga. galvanized steel bar hangers.
- Ballasts shall be integrally mounted, electronic sound rated "A", Class P, multi-volt 120v - 277v.
- UL Listed for Damp Locations.
- For options detail, see page numbers listed below.

Max Ceiling Thickness: 1.5 (38.1 mm)
 Ceiling Cutout: 9.4 Ø (238.8 mm Ø)
 Fixture Weight: 6.2 lbs

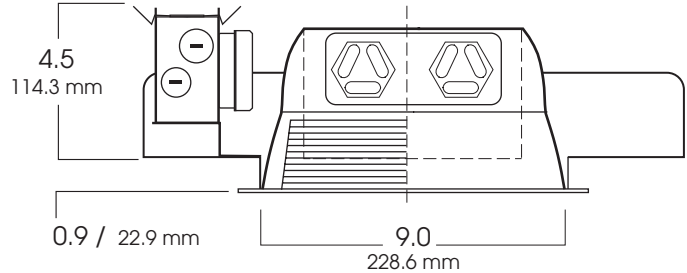


CONE OF LIGHT

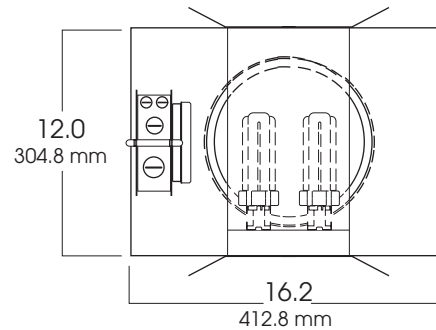


9H226w - Efficiency: 65.4%
 Spacing: 1.44

CROSS-SECTION



TOP VIEW



SERIES	WATTS	BALLAST	OPTIONS	TRIM / FINISH	TRIM OPTIONS
SG9H- Spectrum Gold 9" Horizontal	(1 or 2) 13 (1 or 2) 18 (1 or 2) 26 (1 or 2) 32 (1 or 2) 42	EX -Electronic, multi-volt 120v thru 277v DA1 -Advance Mark 10™ powerline dimming, 120v ¹ DA2 -Advance Mark 10™ powerline dimming, 277v ¹ DAM7 -Advance Mark 7™ 0-10v dimming, 120v thru 277v DL1 -Lutron Compact SE™ 120v (min. dimming level 5%) ¹ DL2 -Lutron Compact SE™ 277v (min. dimming level 5%) ¹	CB24 -C-Channel bars 1-470 CCEA -Chicago Ceiling Plenum CCEA 1-480 CR -Corrosion Resistant 1-460 EM -Emergency battery pack 1-420 FS -Fuse holder and fuse PR -Plaster Ring 1-430 RM -Remodeler Housing 1-450 TBC -T-bar clips 1-475 TST -Twist-Lok Socket 1-425	AR9410-SG -Semi-Diffuse Low Iridescent (standard) CL -Clear Bright Alzak GO -Gold Alzak HZ -Matte Low Iridescent PW -Pewter Alzak UM -Umber Alzak WE -Wheat Alzak BL -Black Finish WH -White Finish PF -Polished Flange	GS -Gasket BB -Black Micro Baffle WB -White Micro Baffle
SG9H	242	EX	EM/	AR9410 SG Note: White flange is standard.	WB *For available Decorative Architectural Trims, see Page 1-490

Dimensions shown are nominal. Spectrum Lighting is continually improving products and reserves the right to make changes that will not alter performance or appearance with or without written notice.



PROJECT:	TYPE:
CAT. NO.:	

