

9" HORIZONTAL CF / MR16 RADIAL DECORATIVE TRIM

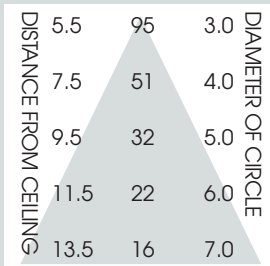
2 x 42 WATT CF / 50 WATT MAX MR16

9HMR16
SPECTRUM
GOLD SERIES™

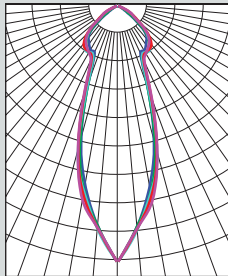
FEATURES & SPECIFICATIONS:

- SG9HMR16 features a radial decorative trim with dual lamp sources for multi-level lighting applications. Frosted glass lens is standard.
- Intended for Non-IC new construction.
- Frame constructed of 20 ga. galvanized steel.
- Supplied with 27" long, heavy ga. galvanized steel bar hangers.
- Fluorescent Ballasts shall be integrally mounted, electronic, sound rated "A", Class P, 120v or 277v. MR16 transformer shall be integrally mounted, electronic, with a maximum 50 watt rating.
- UL Listed for Damp Locations.
- For options detail, see page numbers listed below.

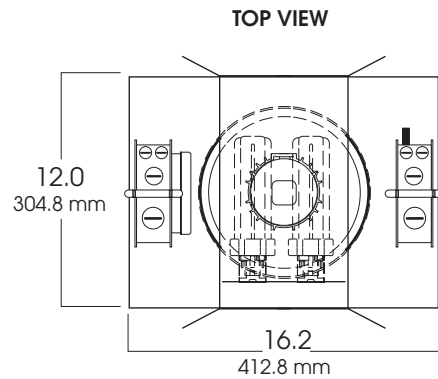
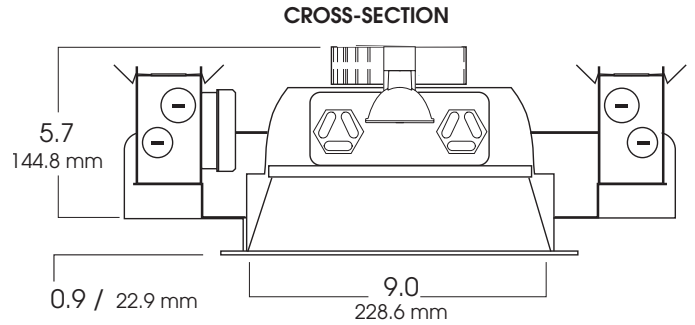
Max Ceiling Thickness: 1.5 (38.1 mm)
Ceiling Cutout: 9.4 Ø (238.8 mm Ø)
Fixture Weight: 8.0 lbs



CONE OF LIGHT



9HMR16226w - Efficiency: 44.7%
Spacing: 0.54



SERIES	WATTS ¹	BALLAST	OPTIONS	TRIM / FINISH
SG9HMR16- Spectrum Gold 9" Horizontal	226 232 242	E1 -Electronic, 120v E2 -Electronic, 277v DA1 -Advance Mark 10™ powerline dimming, 120v DA2 -Advance Mark 10™ powerline dimming, 277v DAM7 -Advance Mark 7™ 0-10v dimming, 120v thru 277v DL1 -Lutron Compact SE™ 120v (min. dimming level 5%) DL2 -Lutron Compact SE™ 277v (min. dimming level 5%)	CB24 -C-Channel bars 1-470 CCEA -Chicago Ceiling Plenum CCEA 1-480 CR -Corrosion Resistant 1-460 EM -Emergency battery pack 1-420 FS -Fuse holder and fuse PR -Plaster Ring 1-430 RM -Remodeler Housing 1-450 TBC -T-bar clips 1-475 TST -Twist-Lok Socket 1-425	AR9425FG-WH -White (standard) BA -Brushed Aluminum BR -Polished Brass BRB -Brushed Brass CR -Chrome GO -Gold CC -Custom Color
SG9HMR16	242 ¹ Triple Tube lamp	E1	EM/	AR9425FG WH

Dimensions shown are nominal. Spectrum Lighting is continually improving products and reserves the right to make changes that will not alter performance or appearance with or without written notice.



PROJECT:	TYPE:
CAT. NO.:	

