

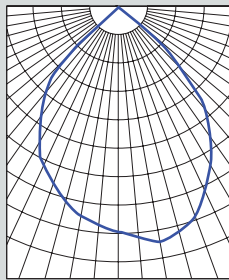
10" HORIZONTAL FLUORESCENT TURBO LOUVER 3 x 42 WATT MAX

95H
SPECTRUM
GOLD SERIES™

FEATURES & SPECIFICATIONS:

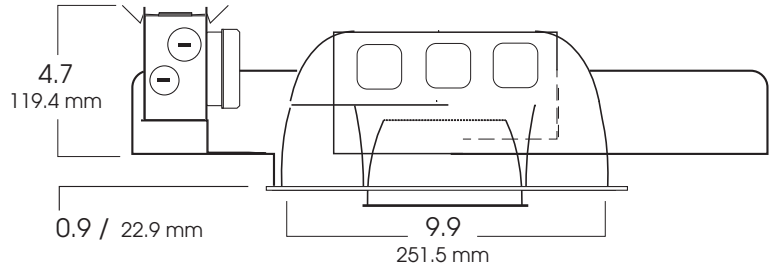
- SG95H features a radial decorative turbo louver trim.
- Intended for Non-IC new construction.
- Frame constructed of 20 ga. galvanized steel.
- Supplied with 27" long, heavy ga. galvanized steel bar hangers.
- Ballasts shall be integrally mounted, electronic sound rated "A", Class P, multi volt 120v-277v.
- UL Listed for Damp Locations.
- For options detail, see page numbers listed below.

Max Ceiling Thickness: 1.5 (38.1 mm)
Ceiling Cutout: 10.5 Ø (266.7 mm Ø)
Fixture Weight: 9.5 lbs

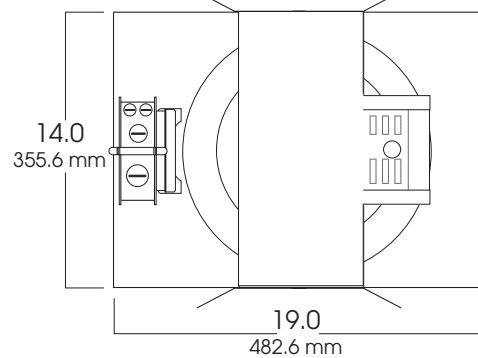


95H332w-Efficiency: 44.4%
Spacing: 1.16

CROSS-SECTION



TOP VIEW



SERIES	WATTS ¹	BALLAST	OPTIONS	TRIM / FINISH
SG95H- Spectrum Gold 10" Horizontal	(1, 2, or 3) 26 (1, 2, or 3) 32 (1, 2, or 3) 42	E1 -Electronic, 120v E2 -Electronic, 277v DA1 -Advance Mark 10™ powerline dimming, 120v DA2 -Advance Mark 10™ powerline dimming, 277v DAM7 -Advance Mark 7™ 0-10v dimming, 120v thru 277v DL1 -Lutron Compact SE™ 120v (min. dimming level 5%) DL2 -Lutron Compact SE™ 277v (min. dimming level 5%)	CB24 -C-Channel bars 1-470 CCEA -Chicago Ceiling Plenum CCEA 1-480 CR -Corrosion Resistant 1-460 EM -Emergency battery pack 1-420 FS -Fuse holder and fuse PR -Plaster Ring 1-430 RM -Remodeler Housing 1-450 TBC -T-bar clips 1-475 TST -Twist-Lok Socket 1-425	AR1036TU-SG -Semi-Diffuse Low Iridescent (standard) GO -Gold Alzak MB -Matte Black MW -Matte White PW -Pewter Alzak UM -Umber Alzak WE -Wheat Alzak BF -Black Flange WF -White Flange CC -Custom Color
SG95H	242 ¹ Triple Tube lamp	E1	EM/	AR1036TU SG

Dimensions shown are nominal. Spectrum Lighting is continually improving products and reserves the right to make changes that will not alter performance or appearance with or without written notice.



PROJECT:	TYPE:
CAT. NO.:	

