



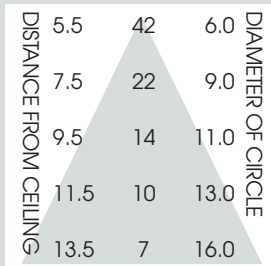
8" HORIZONTAL FLUORESCENT DEEP SQUARE APERTURE 2 X 42 WATT MAX

8Y
SPECTRUM
GOLD SERIES™

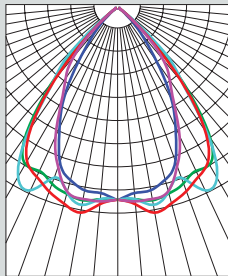
FEATURES & SPECIFICATIONS:

- SG8Y features an extra deep reflector for maximum cutoff.
- Intended for Non-IC new construction. For IC applications, refer to page 1-400.
- Frame constructed of 20 ga. galvanized steel.
- Supplied with 27" long, heavy ga. galvanized steel bar hangers.
- Ballasts shall be integrally mounted, electronic sound rated "A", Class P, multi-volt 120v - 277v.
- UL Listed for Damp Locations.
- For options detail, see page numbers listed below.

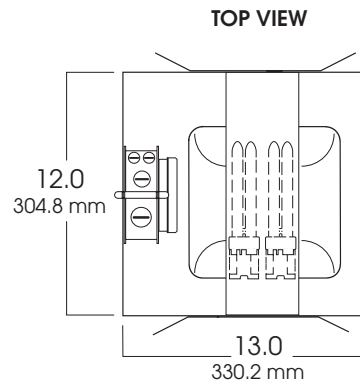
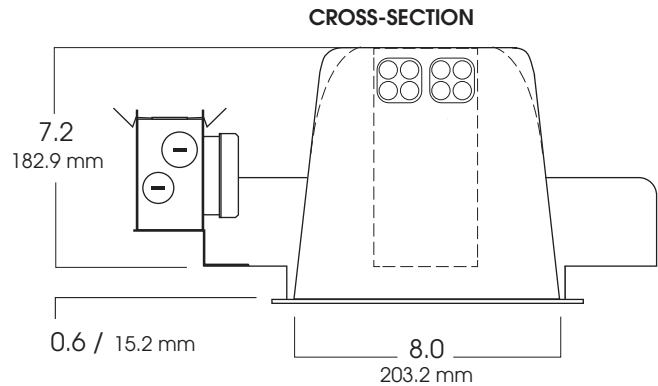
Max Ceiling Thickness: 1.0 (25.4 mm)
Ceiling Cutout: 9.0² (228.6 mm)²
Fixture Weight: 5.5 lbs



CONE OF LIGHT



8Y142w- Efficiency: 59.8%
Spacing: 0.98



SERIES	WATTS	BALLAST	OPTIONS	TRIM / FINISH	TRIM OPTIONS
SG8Y- Spectrum Gold 8" Horizontal Deep Square	(1 or 2) 13 (1 or 2) 18 (1 or 2) 26T¹ (1 or 2) 32 (1 or 2) 42	EX -Electronic, multi-volt 120v thru 277v DA1 -Advance Mark 10™ powerline dimming, 120v ¹ DA2 -Advance Mark 10™ powerline dimming, 277v ¹ DAM7 -Advance Mark 7™ 0-10v dimming, 120v thru 277v DL1 -Lutron Compact SE™ 120v (min. dimming level 5%) ¹ DL2 -Lutron Compact SE™ 277v (min. dimming level 5%) ¹	CB24 -C-Channel bars 1-470 CCEA -Chicago Ceiling Plenum CCEA 1-480 CR -Corrosion Resistant 1-460 EM -Emergency battery pack 1-420 FS -Fuse holder and fuse IC -Insulation Contact 1-400 PR -Plaster Ring 1-430 TBC -T-bar clips 1-475 TST -Twist-Lok Socket 1-425	AR0810-GW -Gloss White (standard) SG -Semi-Diffuse Low Iridescent	GS -Gasket
SG8Y	132	EX	EM/	AR0810 GW	GS

¹ Triple Tube lamp

¹ Not available for 13w Quad or TRT lamp

Note: White flange is standard.

Dimensions shown are nominal. Spectrum Lighting is continually improving products and reserves the right to make changes that will not alter performance or appearance with or without written notice.



PROJECT:	TYPE:
CAT. NO.:	

