



8" INCANDESCENT SERIES WIDE DISTRIBUTION 250 WATT MAX

8WDIN
SPECTRUM
GOLD SERIES™

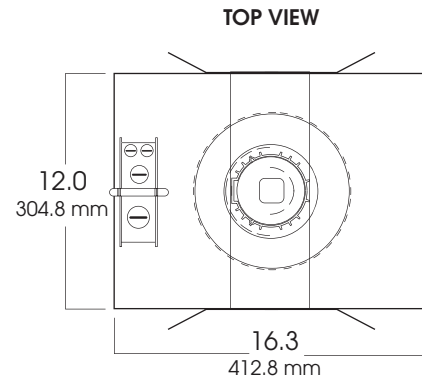
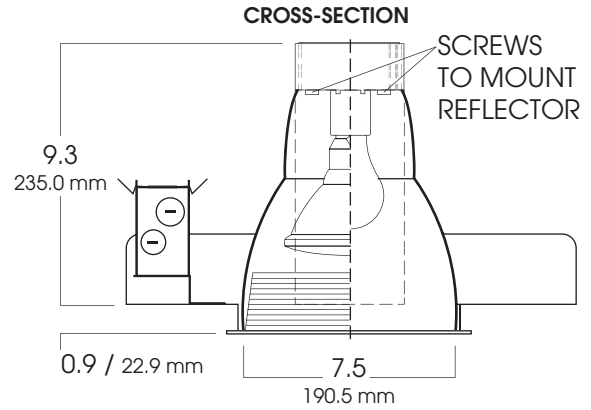
FEATURES & SPECIFICATIONS:

- Series features a lamp placed for wide distribution.
- Intended for Non-IC new construction.
- Frame constructed of 20 ga. galvanized steel.
- Supplied with 27" long, heavy ga. galvanized steel bar hangers.
- **120 Volt** is standard. Use option **T277** for 277v supply feed.
- UL Listed for Damp Locations.
- For options detail, see page numbers listed below.

Max Ceiling Thickness: 1.0 (25.4 mm)
Ceiling Cutout: 8.0 Ø (203.2 mm Ø)
Fixture Weight: 6.0 lbs



8IN150w-Ef ciency: 68%
Spacing: 1.52



SERIES	OPTIONS	TRIM / FINISH	TRIM OPTIONS	FIXTURE LAMPING*															
SG8WDIN - Spectrum Gold 8" Vertical Wide distribution	CB24 -C-Channel bars 1-470 CCEA -Chicago Ceiling Plenum CCEA 1-480 CR -Corrosion Resistant 1-460 FS -Fuse holder and fuse PR -Plaster Ring 1-430 RM -Remodeler Housing 1-450 SCA -Slope Ceiling Adaptor 1-435 TBC -T-bar clips 1-475 T277 -Step down Transformer 277v to 120v	AR8115-SG -Semi-Diffuse Low Iridescent (standard) CL -Clear Bright Alzak GO -Gold Alzak HZ -Matte Low Iridescent PW -Pewter Alzak UM -Umber Alzak WE -Wheat Alzak BL -Black Finish WH -White Finish PF -Polished Flange	GS -Gasket BB -Black Micro Baf e WB -White Micro Baf e	<table border="1"> <thead> <tr> <th>LAMP</th> <th>MAX. WATTAGE</th> </tr> </thead> <tbody> <tr> <td>A19</td> <td>100w</td> </tr> <tr> <td>A 21</td> <td>200w</td> </tr> <tr> <td>PAR 30L</td> <td>75w</td> </tr> <tr> <td>R 30</td> <td>150w</td> </tr> <tr> <td>PAR 38</td> <td>250w</td> </tr> <tr> <td>R 40</td> <td>200w</td> </tr> </tbody> </table> <p>*Medium Base</p>	LAMP	MAX. WATTAGE	A19	100w	A 21	200w	PAR 30L	75w	R 30	150w	PAR 38	250w	R 40	200w	
	LAMP	MAX. WATTAGE																	
A19	100w																		
A 21	200w																		
PAR 30L	75w																		
R 30	150w																		
PAR 38	250w																		
R 40	200w																		
SG8WDIN CB24	AR8115 SG	Note: White Flange is standard.	WB	*For Available Decorative Architectural Trims , see page 1-490															

Dimensions shown are nominal. Spectrum Lighting is continually improving products and reserves the right to make changes that will not alter performance or appearance with or without written notice.



PROJECT:	TYPE:
CAT.	

994 Jefferson Street, Fall River, MA 02721 508.678.2303 FAX 508.678.2260





8" INCANDESCENT SERIES
WIDE DISTRIBUTION
 250 WATT MAX

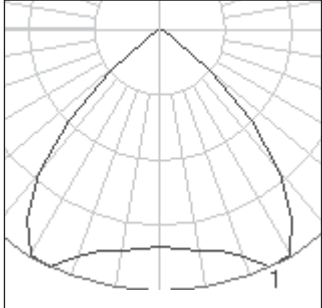
8WDIN
SPECTRUM
GOLD SERIES™

PHOTOMETRICS

SPECTRUM: SG8INC WIDE

Total Rated Lamp Lumens 2850
 Total Luminaire Efficiency 68.7 %
 Luminaire Efficacy Rating (LER) 20
 Total Luminaire Watts 100
 Ballast Factor 1.00
 CIE Type Direct
 Spacing Criteria (0-180) 1.52

CANDELA	0
0	908.06
5	919.76
10	935.28
15	952.65
20	1012.31
25	1090.84
30	1083.27
35	961.7
40	780.35
45	539.43
50	267.8
55	78.75
60	12.47
65	2.09
70	.51
75	.11
80	.01
85	0
90	0



Coefficients Of Utilization - Zonal Cavity
 Effective Floor Cavity Reflectance 0.20

RC	80				70				50				30				10				0
RW	70	50	30	10	70	50	30	10	50	30	10	50	30	10	50	30	10	50	30	10	0
0	79	79	79	79	77	77	77	77	74	74	74	71	71	71	68	68	68	66			
1	76	75	73	72	75	73	72	71	71	70	69	68	68	67	66	65	65	64			
2	74	71	69	67	72	70	68	66	68	66	65	66	65	64	64	63	62	61			
3	71	68	65	63	70	67	64	63	65	63	62	64	62	61	62	61	60	59			
4	69	65	62	60	67	64	61	59	63	60	59	61	60	58	60	59	57	57			
5	66	62	59	57	65	61	59	57	60	58	56	59	57	56	58	57	55	54			
6	64	59	56	54	63	59	56	54	58	56	54	57	55	53	56	55	53	52			
7	62	57	54	52	61	57	54	52	56	54	52	55	53	51	55	53	51	50			
8	60	55	52	50	59	55	52	50	54	52	50	54	51	50	53	51	49	49			
9	58	53	50	48	57	53	50	48	52	50	48	52	49	48	51	49	48	47			
10	56	51	48	46	56	51	48	46	51	48	46	50	48	46	50	48	46	45			

Dimensions shown are nominal. Spectrum Lighting is continually improving products and reserves the right to make changes that will not alter performance or appearance with or without written notice.



PROJECT:	TYPE:
CAT.	

