



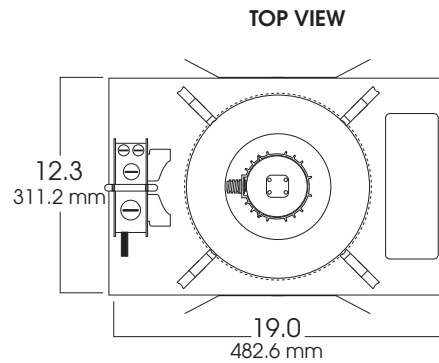
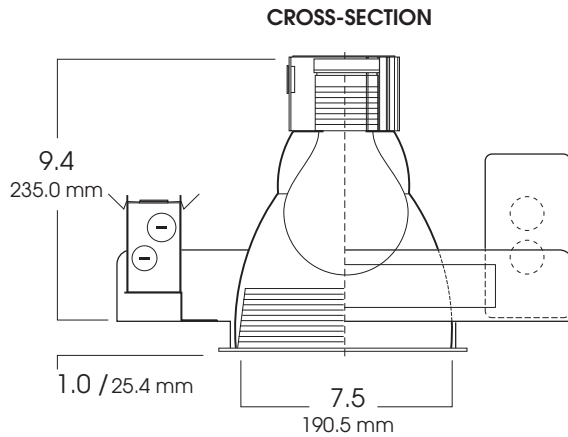
8" QL SERIES OPEN REFLECTOR /BAFFLE 55 WATT MAX



FEATURES & SPECIFICATIONS:

- Precise optical reflector for superior light output.
- QL system technology- 100,000 hrs. rated life.
- Clear tempered safety glass lens optional.
- Intended for Non-IC new construction.
- Frame constructed of 18 ga. galvanized steel.
- Supplied with 27" long, heavy ga. galvanized steel bar hangers.
- High frequency generator, -9% THD.
- Manufactured and tested to UL standard No. 1598. ETL Listed.
- For options details, see page numbers listed below.

Max Ceiling Thickness: 1.0 (25.4 mm)
 Ceiling Cutout: 8.5 Ø (215.9 mm)
 Fixture Weight: 9.0 lbs (MH)



SERIES	WATTS	KELVIN°	GENERATOR	OPTIONS	TRIM / FINISH	TRIM OPTIONS
SG8QL- Spectrum Gold 8" Vertical QL System Downlight	55	3K -3000° Kelvin 4K -4000° Kelvin	G1 -QL Generator 120v G2 -QL Generator 277v	CB24 -C-Channel bars 1-470 CCEA -Chicago Ceiling Plenum CCEA 1-480 CR -Corrosion Resistant 1-460 FS -Fuse holder and fuse PR -Plaster Ring 1-430 RM -Remodeler Housing 1-450 TBC -T-bar clips 1-475	AR8116-SG -Semi-Diffuse Low Iridescent (standard) CL -Clear Bright Alzak GO -Gold Alzak HZ -Matte Low Iridescent PW -Pewter Alzak UM -Umber Alzak WE -Wheat Alzak BL -Black Finish WH -White Finish PF -Polished Flange AR8168-** -Finished as specified with Glass Safety Lens Note: White flange is standard.	GS -Gasket BB -White Micro Baffle WB -Black Micro Baffle GL -Clear Glass lens *For available Decorative Architectural Trims, see Page 1-490
SG8QL	55	3K	G1	CB24	AR8116 SG	GS

Dimensions shown are nominal. Spectrum Lighting is continually improving products and reserves the right to make changes that will not alter performance or appearance with or without written notice.



PROJECT:	TYPE:
CAT. NO.:	

994 Jefferson Street, Fall River, MA 02721 508.678.2303 FAX 508.678.2260

