



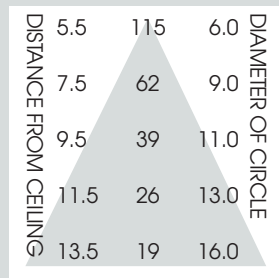
8" HID-MH / HPS SERIES LENSED SPLAY 150 WATT MAX

8MH
SPECTRUM
GOLD SERIES™

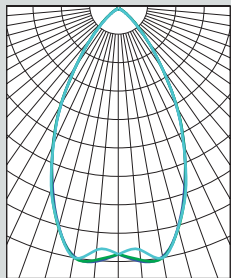
FEATURES & SPECIFICATIONS:

- 8MH series features a deep reflector and a wide variety of lenses and splays.
- Intended for Non-IC new construction.
- Frame constructed of 20 ga. galvanized steel.
- Supplied with 27" long, heavy ga. galvanized steel bar hangers.
- Ballasts shall be integrally mounted, electronic sound rated "A", multi-volt 120v or 277v.
- UL Listed for Damp Locations.
- For options detail, see page numbers listed below.

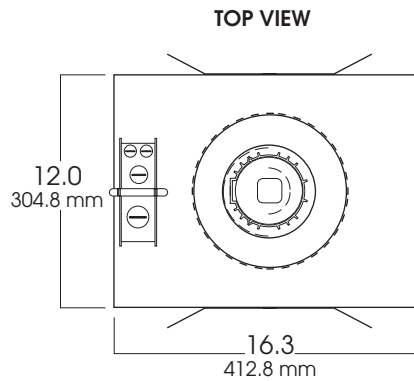
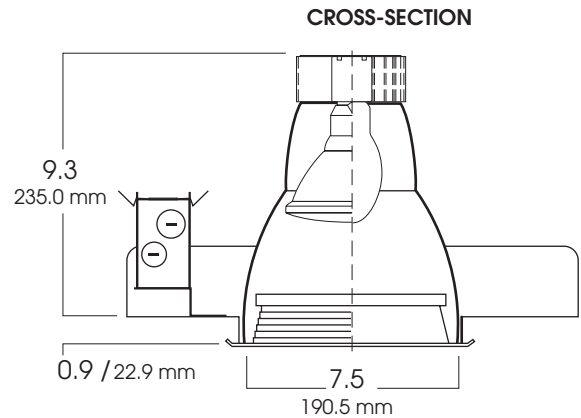
Max Ceiling Thickness: 1.5 (38.1 mm)
Ceiling Cutout: 8.0 Ø (203.2 mm Ø)
Fixture Weight: 6.4 lbs (MH)



CONE OF LIGHT



8MH100w - Efficiency: 41.7%
Spacing: 0.90



FIXTURE LAMPING *

BD17 (HPS) - 50W thru 150W
ED17 (MH) - 50W thru 150W
PAR38 - 70W thru 150W

* All lamps are medium based

SERIES	WATTS	BALLAST	OPTIONS	SPLAY	TRIM OPTIONS
SG8MH* Spectrum Gold 8" Vertical	50 70 100 150¹	EX¹ -Electronic, multi-volt 120v thru 277v E1¹ -Electronic 120v (150w MH only) E2¹ -Electronic 277v (150w MH only) H1 -F-Can ballast, 120v H2 -F-Can ballast, 277v HS -High Pressure Sodium	CB24 -C-Channel bars 1-470 CCEA -Chicago Ceiling Plenum CCEA 1-480 CR -Corrosion Resistant 1-460 FS -Fuse holder and fuse PR -Plaster Ring 1-430 RM -Remodeler Housing 1-450 SCA -Slope Ceiling Adaptor 1-435 TBC -T-bar clips 1-475 TP -Tamper Resistant QRS120 -Quartz Restrike-120v QRS277 -Quartz Restrike-277v	AR8225-WS -White w/White flange (standard) CS -Clear Alzak w/white flange CSPF -Clear Alzak w/polished flange SGS -Semi-Diffuse Low- Iridescent w/white flange SGSPF -Semi-Diffuse Low- Iridescent w/polished flange RB -Regressed black baffled w/white flange RBBF -Regressed black baffled w/black flange RW -Regressed white baffled w/white flange CC -Custom Color FW -Flush White Door	GL -Clear Glass lens PG -Prismatic (T73) lens (standard) SO -Micro Prism Solite™ lens FG -Frosted Glass FL -Fresnel Lens XB¹ -Cross Blade Louver GS -Gasket WL -Wet Location 1-470
SG8MH	100	EX	CB24	AR8225 WS	PG

* For High Pressure Sodium use **HS**

¹ Must specify voltage

¹ Metal Halide only

¹ For **WS, CS, CSPF, SGS** and **SGSPF** trims only

Dimensions shown are nominal. Spectrum Lighting is continually improving products and reserves the right to make changes that will not alter performance or appearance with or without written notice.



PROJECT: _____ **TYPE:** _____

CAT. NO.: _____

