

8" HID-MH / HPS SERIES OPEN REFLECTOR / BAFFLE

150 WATT MAX

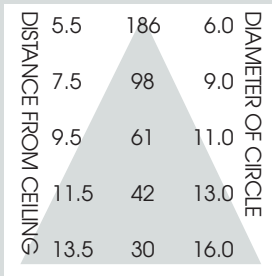
8MH
SPECTRUM
GOLD SERIES™



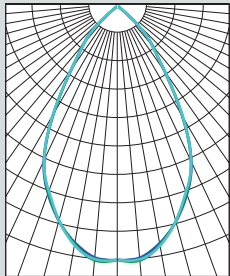
FEATURES & SPECIFICATIONS:

- 8MH series features a deep reflector for excellent cutoff.
- Intended for Non-IC new construction.
- Frame constructed of 20 ga. galvanized steel.
- Supplied with 27" long, heavy ga. galvanized steel bar hangers.
- Ballasts shall be integrally mounted, electronic sound rated "A", multi-volt 120v or 277v.
- UL Listed for Damp Locations.
- For options detail, see page numbers listed below.

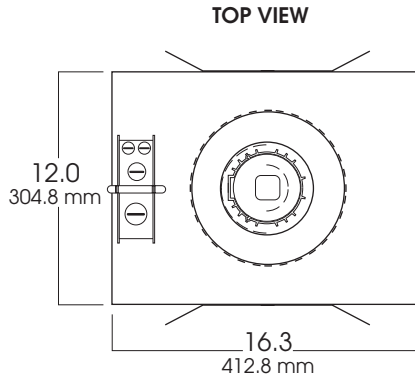
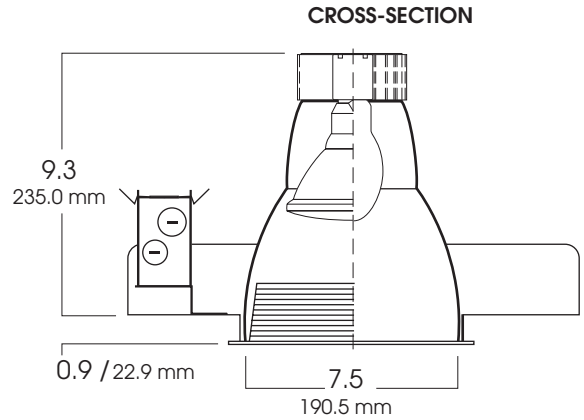
Max Ceiling Thickness: 1.5 (38.1 mm)
Ceiling Cutout: 8.0 Ø (203.2 mm Ø)
Fixture Weight: 6.4 lbs (MH)



CONE OF LIGHT



8MH100w - Efficiency: 64.2%
Spacing: 0.95



FIXTURE LAMPING *

- BD17 (HPS) - 50W thru 150W
- ED17¹ (MH) - 50W thru 150W
- PAR38 - 70W thru 150W

* All lamps are medium based
¹ Open Rated only

SERIES	WATTS	BALLAST	OPTIONS	TRIM / FINISH	TRIM OPTIONS
SG8MH* Spectrum Gold 8" Vertical	50 70 100 150¹	EX¹ -Electronic, multi-volt 120v thru 277v E1¹ -Electronic 120v (150w MH only) E2¹ -Electronic 277v (150w MH only) H1 -F-Can ballast, 120v H2 -F-Can ballast, 277v HS -High Pressure Sodium	CB24 -C-Channel bars 1-470 CCEA -Chicago Ceiling Plenum CCEA 1-480 CR -Corrosion Resistant 1-460 FS -Fuse holder and fuse PR -Plaster Ring 1-430 RM -Remodeler Housing 1-450 SCA -Slope Ceiling Adaptor 1-435 TBC -T-bar clips 1-475 QRS120 -Quartz Restrike-120v QRS277 -Quartz Restrike-277v	AR8215-SG -Semi-Diffuse Low Iridescent (standard) CL -Clear Bright Alzak GO -Gold Alzak HZ -Matte Low -Iridescent PW -Pewter Alzak UM -Umber Alzak WE -Wheat Alzak BL -Black Finish WH -White Finish PF -Polished Flange AR8218-** -Finished as specified with Glass Safety Lens	GS -Gasket BB -Black Micro Baffle WB -White Micro Baffle
* For High Pressure Sodium use HS	¹ Must specify voltage	¹ Metal Halide only		Note: White flange is standard.	*For Available Decorative Architectural Trims, see page 1-490
SG8MH	100	EX	CB24	AR8215 SG	GS

Dimensions shown are nominal. Spectrum Lighting is continually improving products and reserves the right to make changes that will not alter performance or appearance with or without written notice.



PROJECT:	TYPE:
CAT. NO.:	

