



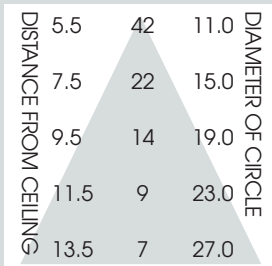
8" HORIZONTAL FLUORESCENT LENSED SPLAY 2 x 42 WATT MAX

8H
SPECTRUM
GOLD SERIES™

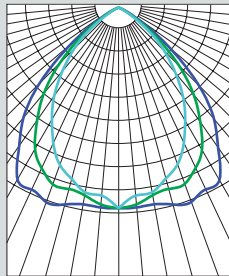
FEATURES & SPECIFICATIONS:

- SGM8H offers medium depth and a wide variety of lenses and splays.
- Intended for Non-IC new construction. For IC applications, refer to page 1-400.
- Frame constructed of 20 ga. galvanized steel.
- Supplied with 27" long, heavy ga. galvanized steel bar hangers.
- Ballasts shall be integrally mounted, electronic sound rated "A", Class P, multi-volt 120v - 277v.
- UL Listed for Damp Locations.
- For options detail, see page numbers listed below.

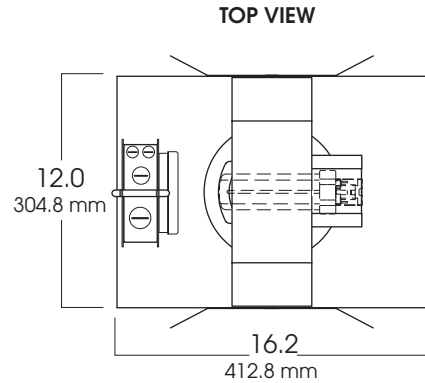
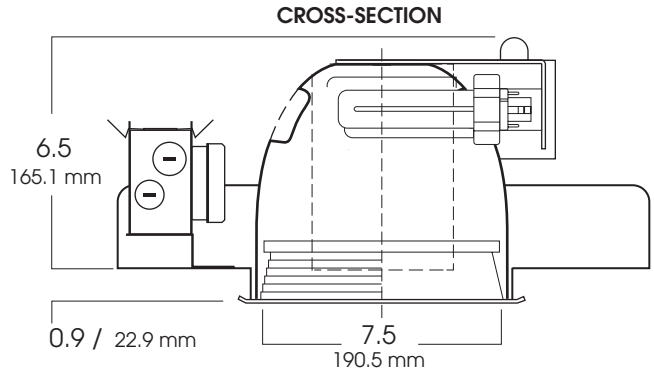
Max Ceiling Thickness: 1.5 (38.1 mm)
Ceiling Cutout: 8.0 Ø (203.2 mm Ø)
Fixture Weight: 6.4 lbs



CONE OF LIGHT



8H232w - Efficiency: 23.0%
Spacing: 1.36



| SERIES | WATTS | BALLAST | OPTIONS | REFLECTOR | SPLAY | TRIM OPTIONS |
|---|--|---|--|--|---|--|
| SG8H- Spectrum Gold 8" Horizontal | (1 or 2) 13¹ (1 or 2) 18¹ (1 or 2) 26Q¹ (1 or 2) 26T² (1 or 2) 32 (1 or 2) 42 | EX -Electronic, multi-volt 120v thru 277v DA1 -Advance Mark 10™ powerline dimming, 120v ¹ DA2 -Advance Mark 10™ powerline dimming, 277v ¹ DAM7 -Advance Mark 7™ 0-10v dimming, 120v thru 277v DL1 -Lutron Compact SE™ 120v (min. dimming level 5%) ¹ DL2 -Lutron Compact SE™ 277v (min. dimming level 5%) ¹ | CB24 -C-Channel bars 1-470 CCEA -Chicago Ceiling Plenum CCEA 1-480 CR -Corrosion Resistant 1-460 EM -Emergency battery pack 1-420 FS -Fuse holder and fuse IC -Insulation Contact 1-400 PR -Plaster Ring 1-430 RM -Remodeler Housing 1-450 SCA -Slope Ceiling Adaptor 1-435 TBC -T-bar clips 1-475 TP -Tamper Resistant TST -Twist-Lok Socket 1-425 | AR8520- (2 lamp) 13w, 18w, 26wQ lamps AR8625- (1 lamp) 13w, 18w, 26wQ, 26wT, 32w, 42w lamps AR8620- (2 lamp) x 26wT, 32w, 42w lamps | WS -White w/White flange (standard) CS -Clear Alzak w/white flange CSPF -Clear Alzak w/polished flange SGS -Semi-Diffuse Low- Iridescent w/white flange SGSPF -Semi-Diffuse Low- Iridescent w/polished flange RB -Regressed black baffled w/white flange RBBF -Regressed black baffled w/black flange RW -Regressed white baffled w/white flange CC -Custom Color Note: White flange is standard. | PG -Prismatic (T73) lens (standard) FG -Frosted Glass FL -Fresnel Lens GL -Clear Glass lens GS -Gasket PC -Clear Polycarbonate PP -Prismatic Polycarbonate WL -Wet Location 1-470 XB¹ -Cross Blade Louver ¹ For WS, CS, CSPF, SGS and SGSPF trims only |
| SG8H | 242 | EX | EM/ | AR8620 | WS | PG |

Dimensions shown are nominal. Spectrum Lighting is continually improving products and reserves the right to make changes that will not alter performance or appearance with or without written notice.



| | |
|------------------|--------------|
| PROJECT: | TYPE: |
| CAT. NO.: | |

